

PRODUCT SPECIFICATION

# RHINO-M-SERIES CART

## *features*

The Rhino Cart is a highly durable, one-piece plastic transport cart made for meal delivery in corrections. The M-Series Rhino Carts are designed to efficiently carry our Marathon or Gorilla Trays, or any tray that is 14" to 14-1/2" x 9-1/2 to 11-1/2". Easy to load, easy to roll and easy to clean, this insulated cart is ideal for correctional foodservice.

### EXCEPTIONAL DURABILITY

FDA approved, high impact polyethylene body is fully insulated for strength and rigidity. The reinforced base prevents the cart floor from sagging and makes changing casters easy.

### OUTSTANDING TEMPERATURE RETENTION

Superior insulation, lockable maxi latch which prevents the door from opening during transport and a door seal that keeps air from entering the cabinet and promotes exceptional temperature control.

### FITS THROUGH 30" DOORS

Narrow 29-3/4" width allows the cart to pass easily through a narrow 30" doorway and rubber bumpers on all four corners protect walls and door jambs.

### EASY TO LOAD/UNLOAD

Doors swing 263° allowing full access to interior cavity.

### MANEUVERABILITY

Height appropriate, ergonomic push handles are molded into all four sides of the cart so its easy to maneuver.

### EASY TO KEEP CLEAN

Smooth interior is easy to clean and one-piece design means no seams to hold dirt. The interior features coved corners that meets NSE guidelines. Plus, it has two interior floor drains to facilitate easier cleaning.

### HIGH QUALITY CASTERS

8" Colson Performa casters feature a sealed bearing for longevity.



630-M-150  
with Marathon Trays



630-M-102  
with Gorilla Trays

## PRODUCT SPECIFICATION

# RHINO-M-SERIES CART

## features

## PRODUCT DETAILS

### MODEL #'S

630-M-150 65"H CART

630-M-102 47-½"H CART

### MANUFACTURER

Cook's Brand

### DIMENSIONS

630-M150	INTERIOR	EXTERIOR
Height	43-½"	65"
Depth	22-¼"	28-¾"
Width	44-¼"	56-⅞"

630-M102	INTERIOR	EXTERIOR
Height	30-¾"	47-½"
Depth	22-¼"	28"
Width	44-¼"	58-½"

### SHIPPING INFORMATION





Class = 150 &amp; NMFC# 156600 SUB 04.

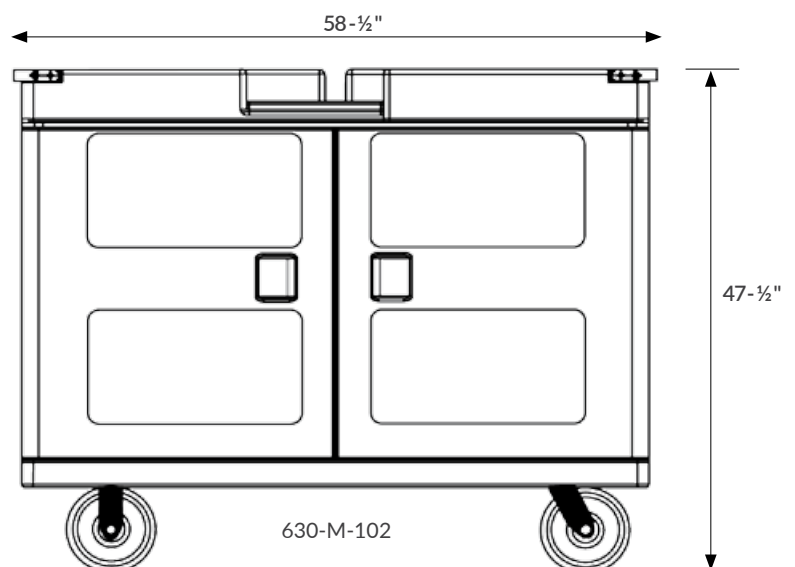
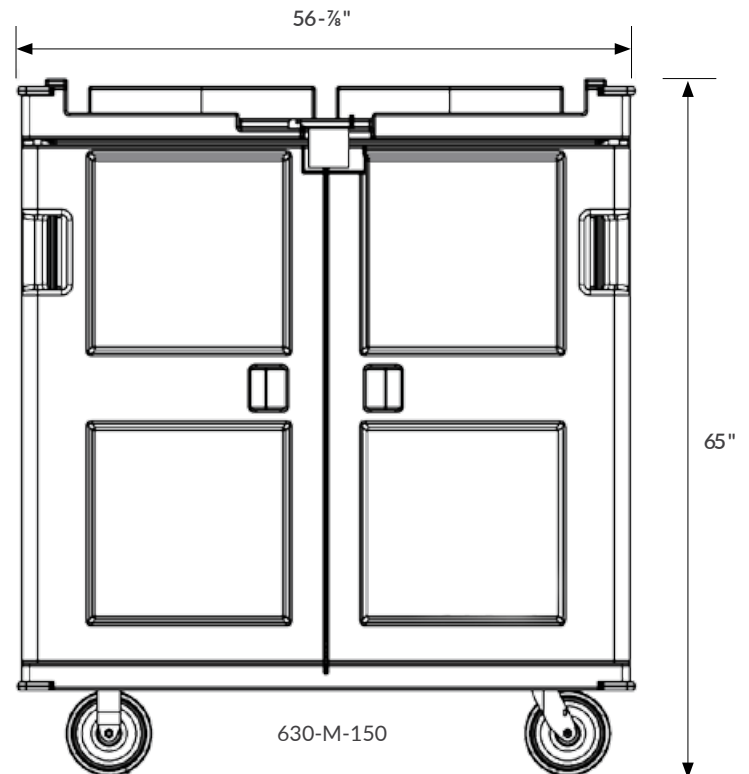
### MATERIALS

Made from high impact polyethylene and fully insulated for additional strength.

### RHINO-M-SERIES

FITS THE FOLLOWING TRAYS M-150 M-102

630-170 (Marathon)	150	102	
2000 (Rock)	150	102	
630-120 (Gorilla)	120	84	
10355 (Guardian II)	120	84	



For California Residents  
**WARNING:** Cancer & Reproductive Harm  
[www.P65Warnings.ca.gov](http://www.P65Warnings.ca.gov)

**COOK'S**  
**BRAND**

p 800-956-5571  
 f 800-956-6822  
 w [COOKSCORRECTIONAL.COM](http://COOKSCORRECTIONAL.COM)  
 27725 DIEHL ROAD  
 WARRENVILLE, IL 60555