

**Construction Package for Cold Formed Steel Building
Created for Peter Landon
Job Number UHAW 90275727**



Table Of Contents

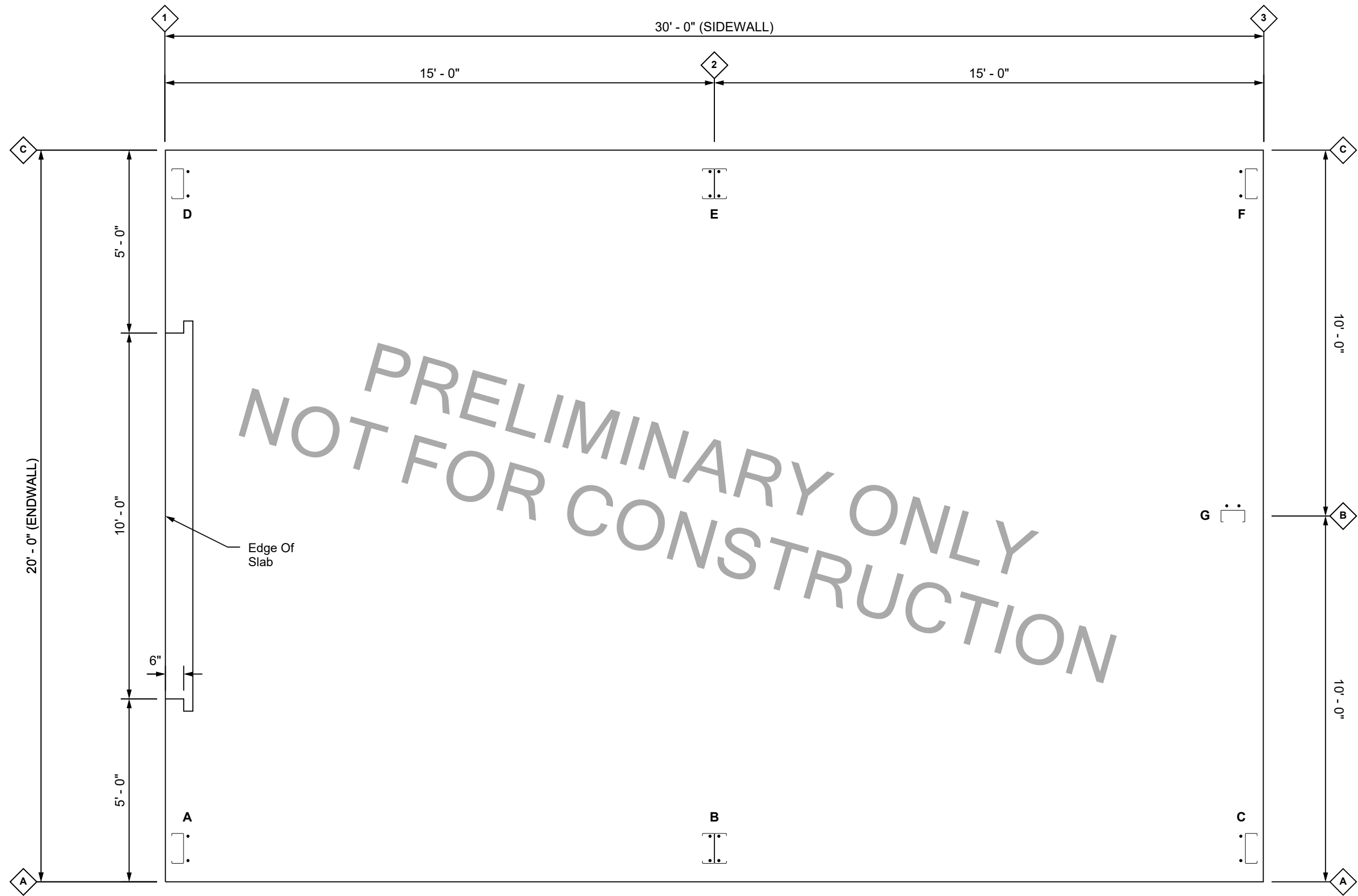
Building Layout Plan	2
Concrete Anchor Details	3
Portal Frame Sections	4
Roof Framing Plan	10
Girt Layout	12
Sheeting Layout	18

Construction Package Notes

This construction package is to be used in conjunction with the created order for the job. All lengths and piece marks of materials in this package will correspond to an item in the order. For example, on the Sidewall A girt layout, there will likely be an item with a piece mark of SGA1. This will correspond to an item in the order with the piece mark of SGA1. Products that do not include a piece mark will be marked with the product code.

All girt layout and sheeting layouts drawings in this construction package are exterior views, and in these illustrations, components are drawn as if viewed from the outside of the building.

All drawings in this construction package are for reference only, and are to be used to supplement the engineering drawings. If any discrepancies occur, the engineering plans will always take precedence.



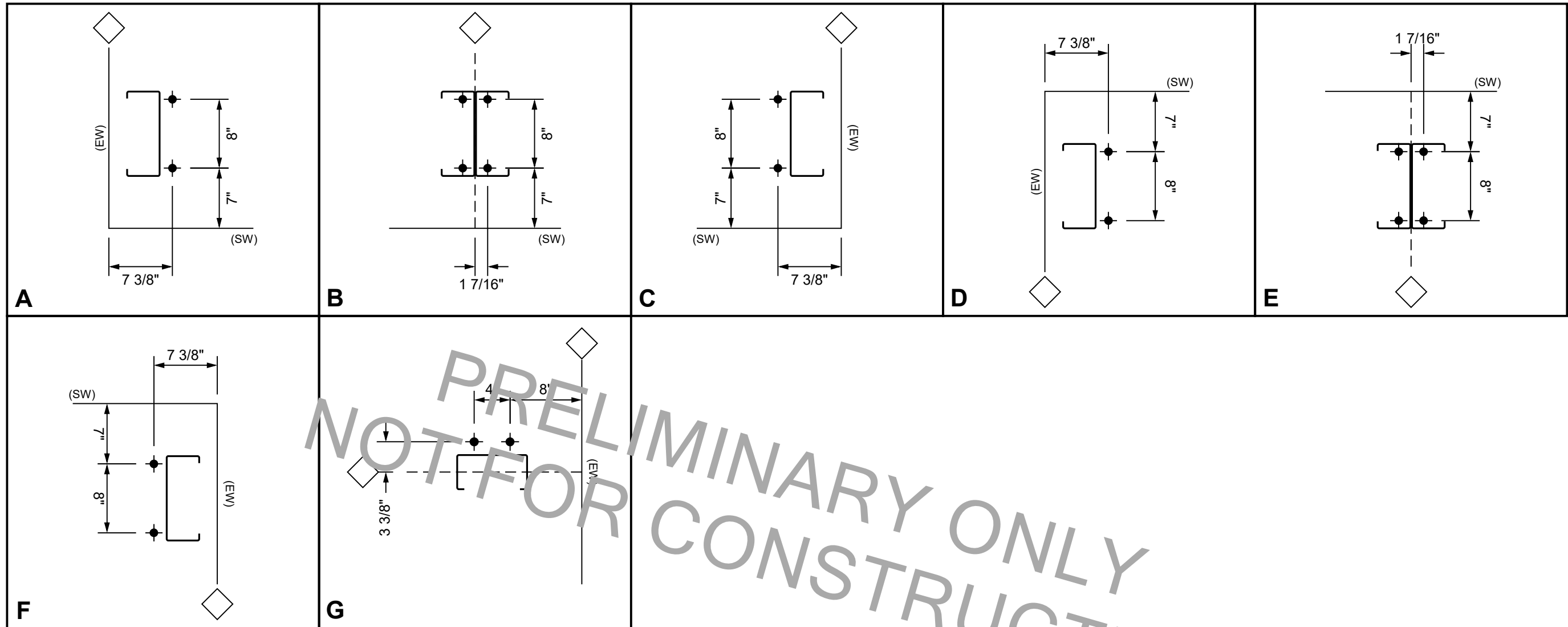
PRELIMINARY ONLY
NOT FOR CONSTRUCTION

This illustration is for reference only, and is to be used to supplement the engineering drawings. If any discrepancies occur, the engineering plans will always take precedence.



Building Layout Plan





NOT FOR PRELIMINARY ONLY CONSTRUCTION

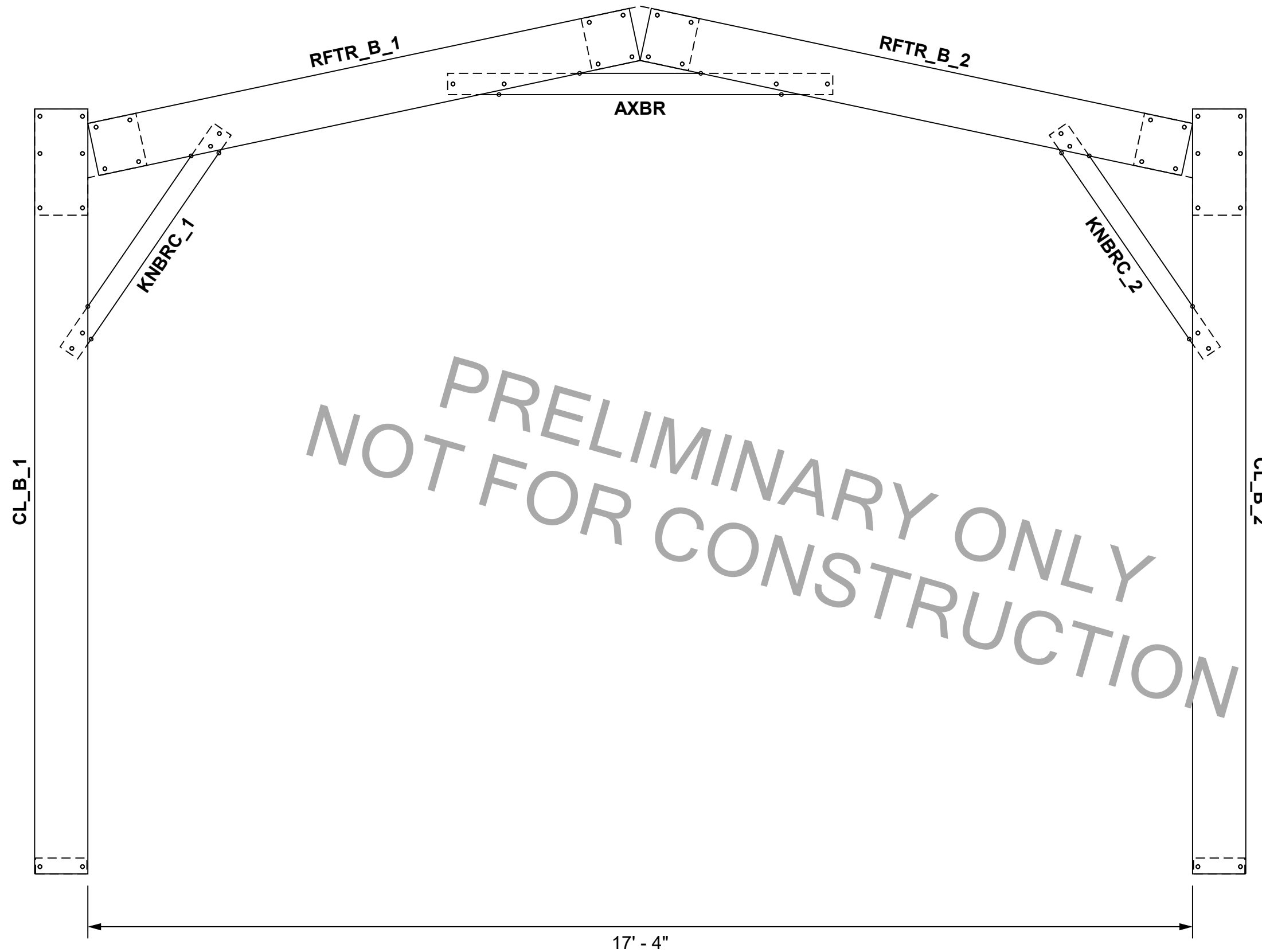


This illustration is for reference only, and is to be used to supplement the engineering drawings. If any discrepancies occur, the engineering plans will always take precedence.

Concrete Anchor Details



Member Table		
Mark	Product	Length
AXBR	4" x 16ga. CEE	6' - 0 1/2"
CL_B_1	10" x 14ga. CEE	12' - 0"
CL_B_2	10" x 14ga. CEE	12' - 0"
KNBRC_1	4" x 16ga. CEE	4' - 3 1/16"
KNBRC_2	4" x 16ga. CEE	4' - 3 1/16"
RFTR_B_1	10" x 14ga. CEE	8' - 8 3/16"
RFTR_B_2	10" x 14ga. CEE	8' - 8 3/16"



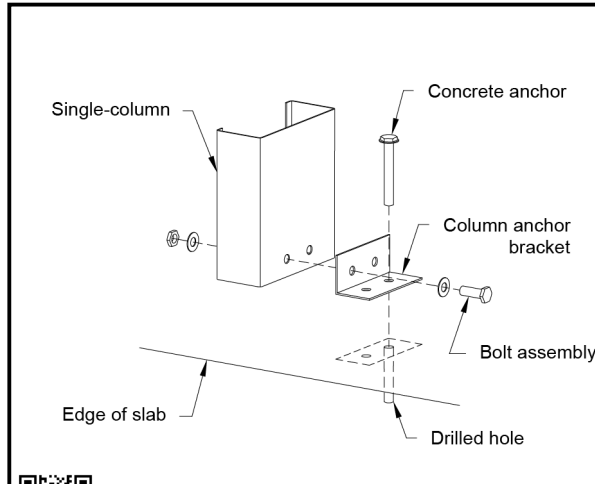
PRELIMINARY ONLY
NOT FOR CONSTRUCTION

This illustration is for reference only, and is to be used to supplement the engineering drawings. If any discrepancies occur, the engineering plans will always take precedence.



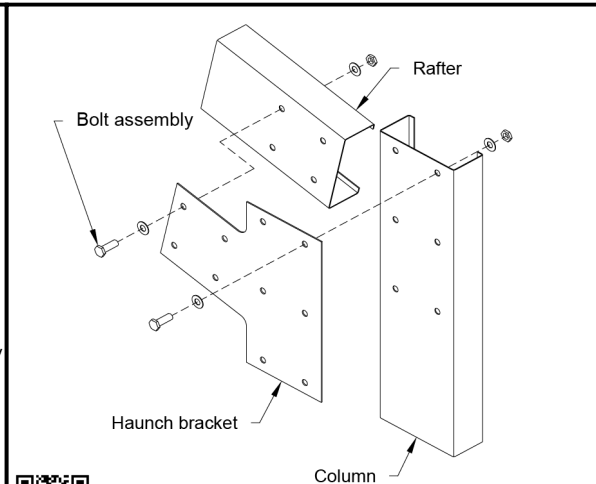
Portal Section, Frame Line 1





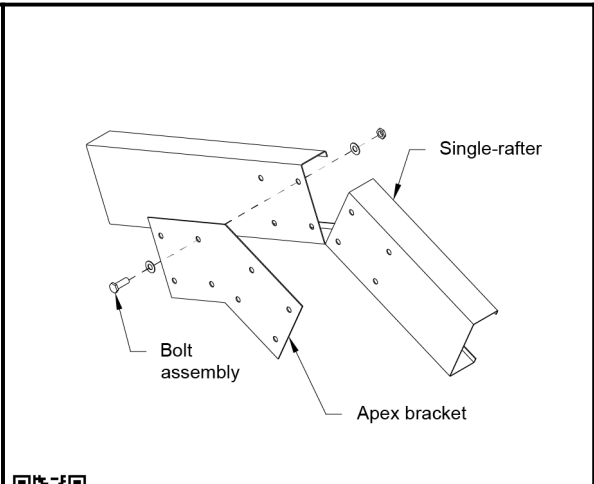
Single Base Bracket

<https://r.actbs.com/g/abs525>



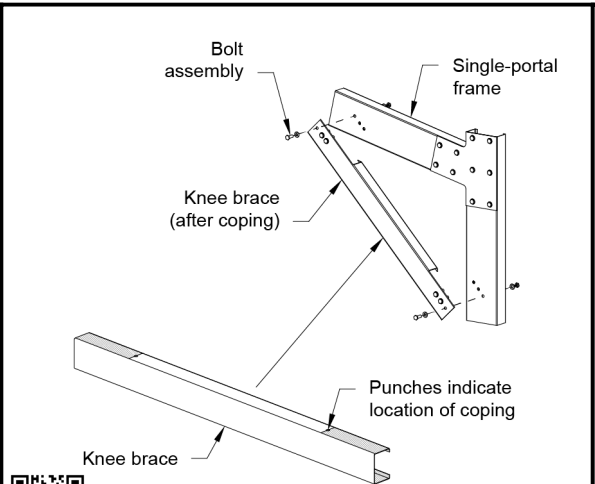
Single Haunch Bracket

<https://r.actbs.com/g/abs265>



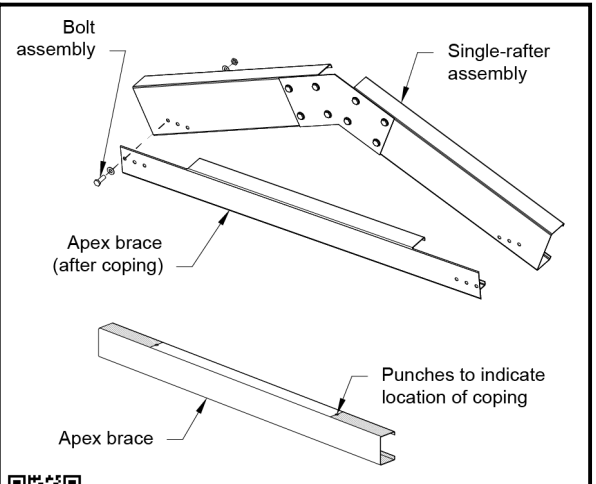
Single Apex Bracket

<https://r.actbs.com/g/abs021>



Single Knee Brace

<https://r.actbs.com/g/abs289>



Single Apex Brace

<https://r.actbs.com/g/abs009>

PRELIMINARY ONLY
NOT FOR CONSTRUCTION

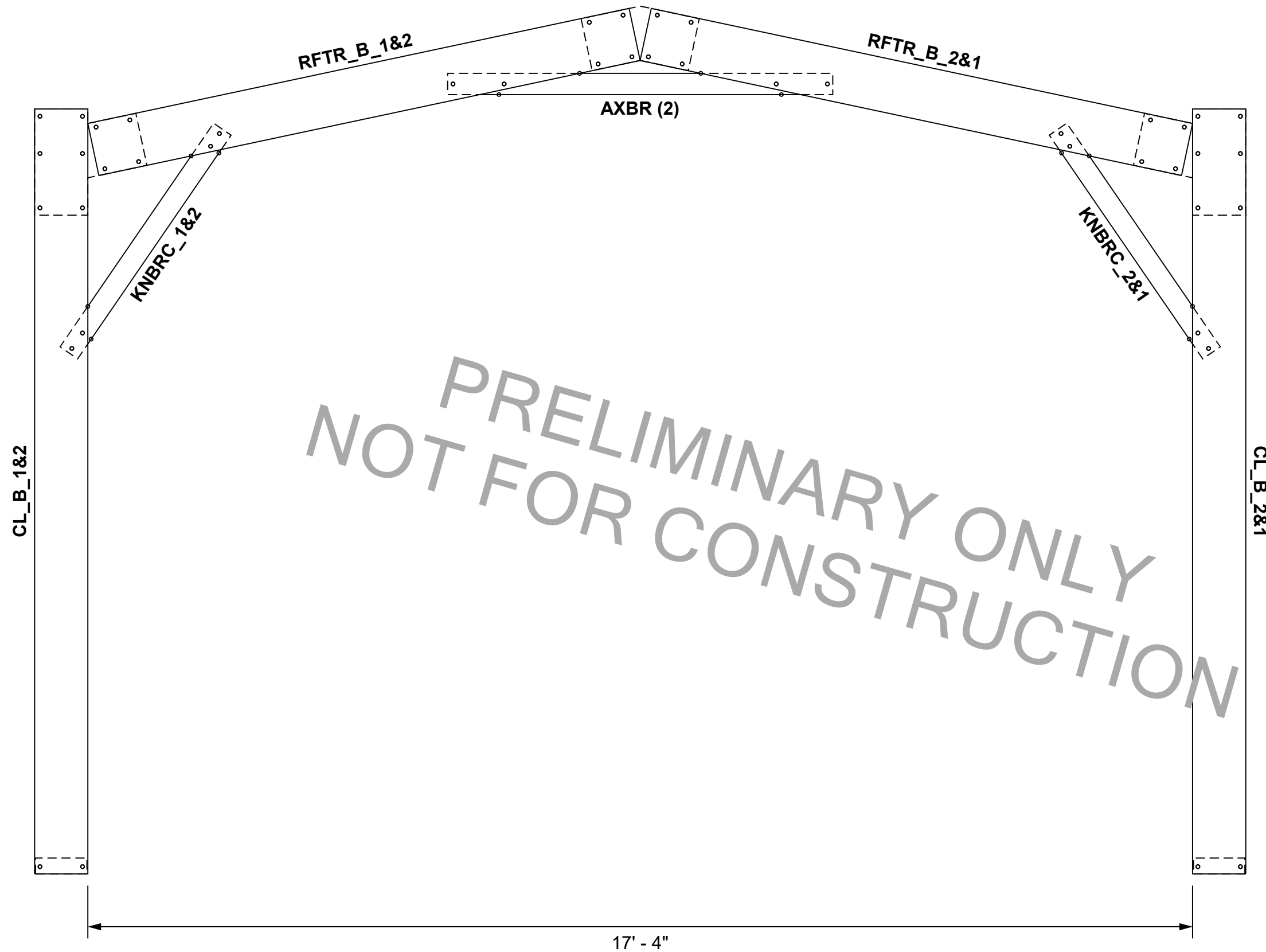


This illustration is for reference only, and is to be used to supplement the engineering drawings. If any discrepancies occur, the engineering plans will always take precedence.

Portal Details



Member Table		
Mark	Product	Length
AXBR	4" x 16ga. CEE	6' - 0 1/2"
CL_B_1	10" x 14ga. CEE	12' - 0"
CL_B_2	10" x 14ga. CEE	12' - 0"
KNBRC_1	4" x 16ga. CEE	4' - 3 1/16"
KNBRC_2	4" x 16ga. CEE	4' - 3 1/16"
RFTR_B_1	10" x 14ga. CEE	8' - 8 3/16"
RFTR_B_2	10" x 14ga. CEE	8' - 8 3/16"



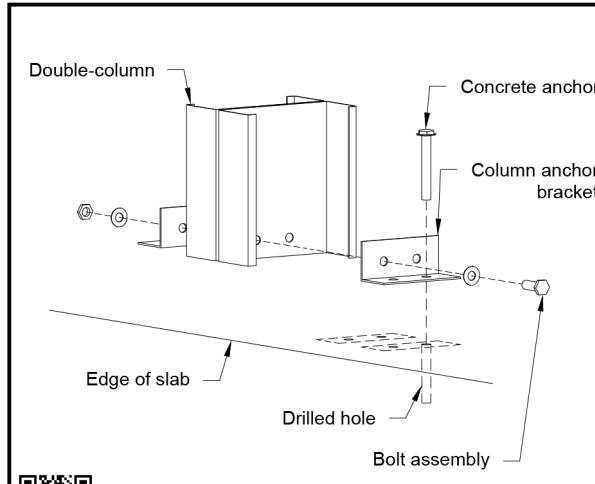
PRELIMINARY ONLY
NOT FOR CONSTRUCTION

This illustration is for reference only, and is to be used to supplement the engineering drawings. If any discrepancies occur, the engineering plans will always take precedence.

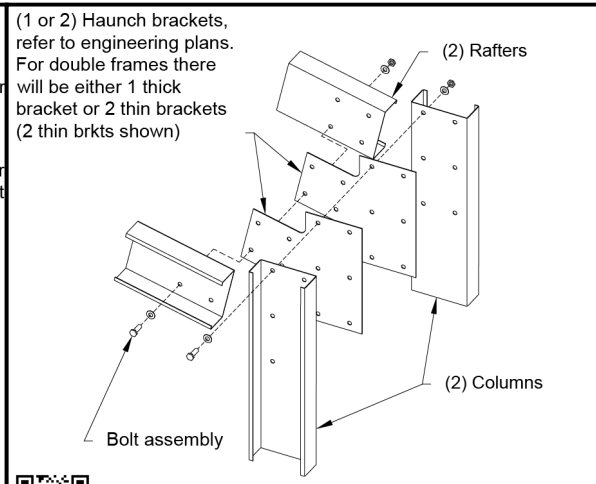


Portal Section, Frame Line 2

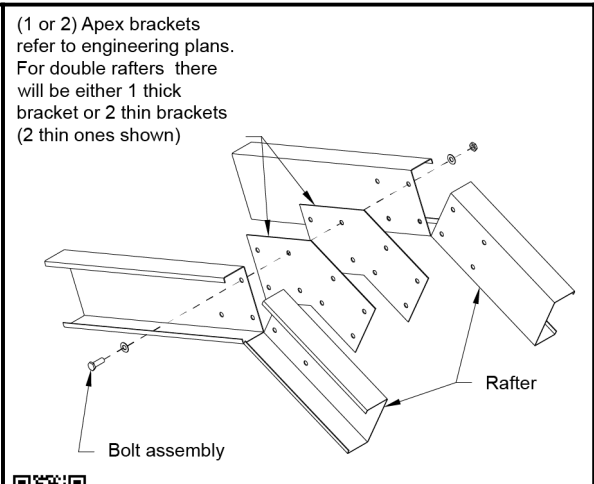




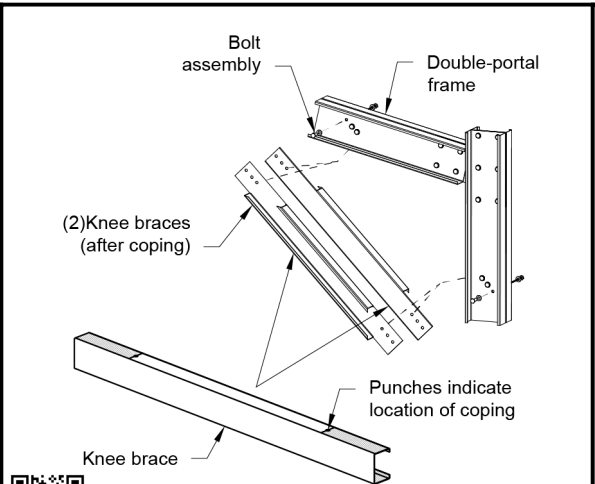
Double Base Bracket
<https://r.actbs.com/g/abs521>



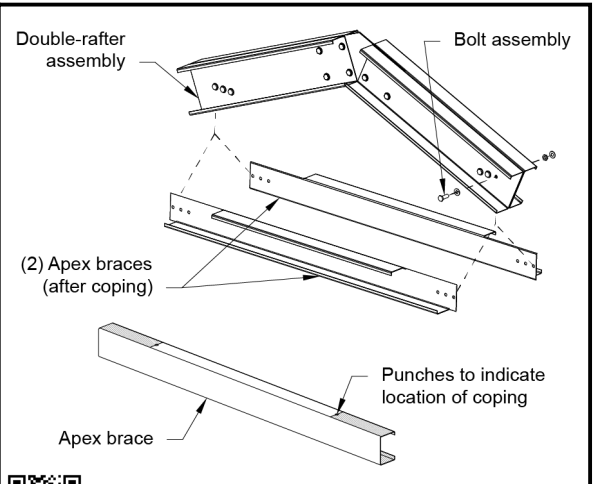
Double Haunch Bracket
<https://r.actbs.com/g/abs269>



Double Apex Bracket
<https://r.actbs.com/g/abs017>



Double Knee Brace
<https://r.actbs.com/g/abs285>



Double Apex Brace
<https://r.actbs.com/g/abs001>

PRELIMINARY ONLY
 NOT FOR CONSTRUCTION

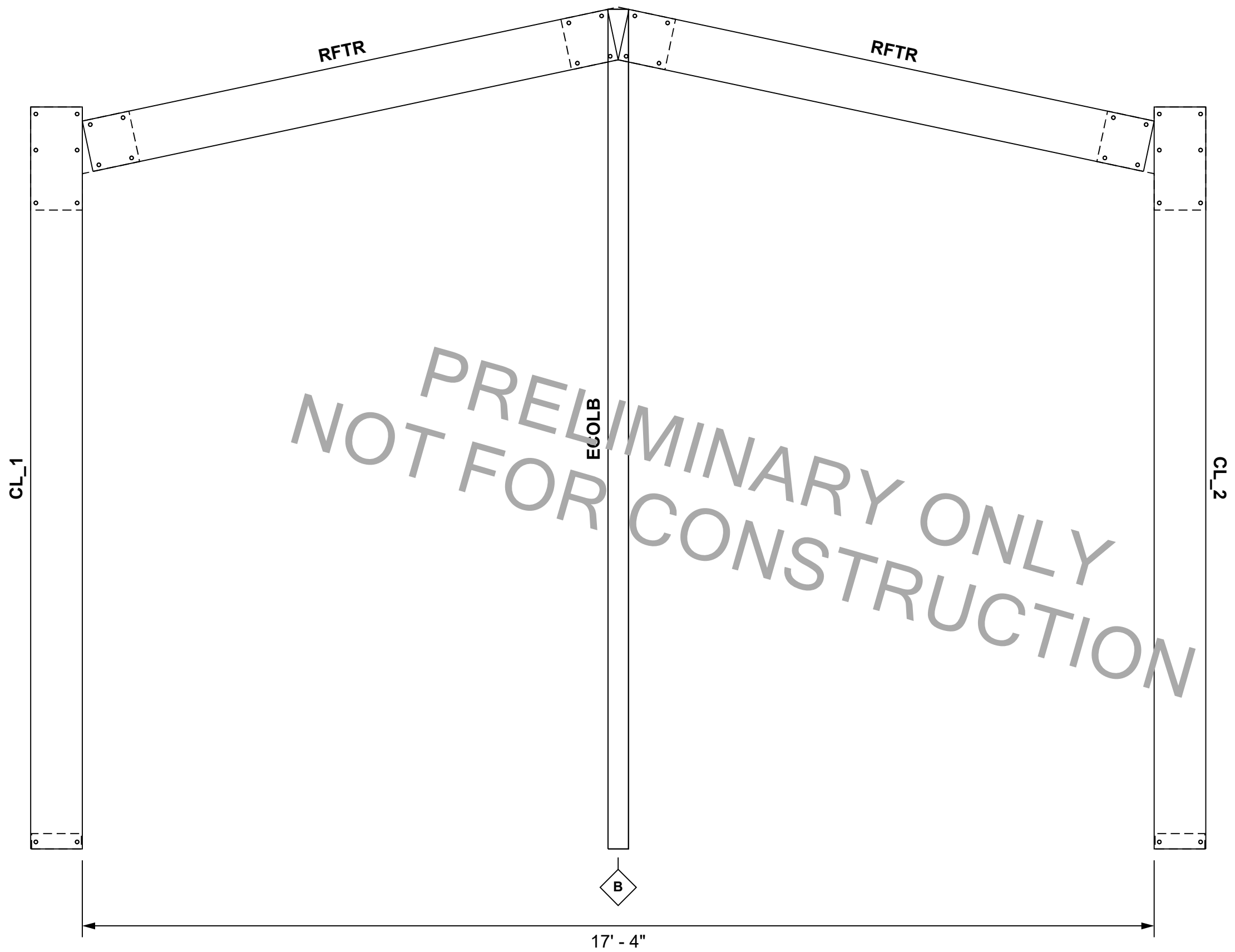


This illustration is for reference only, and is to be used to supplement the engineering drawings. If any discrepancies occur, the engineering plans will always take precedence.

Portal Details



Member Table		
Mark	Product	Length
CL_1	10" x 14ga. CEE	12' - 0"
CL_2	10" x 14ga. CEE	12' - 0"
ECOLB	8" x 14ga. CEE	13' - 6 15/16"
RFTR	10" x 14ga. CEE	8' - 8 3/16"



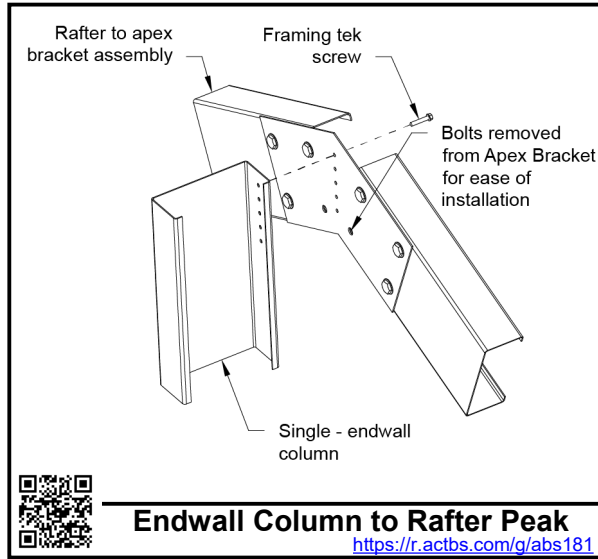
PRELIMINARY ONLY
NOT FOR CONSTRUCTION

This illustration is for reference only, and is to be used to supplement the engineering drawings. If any discrepancies occur, the engineering plans will always take precedence.



Portal Section, Frame Line 3





PRELIMINARY ONLY
NOT FOR CONSTRUCTION

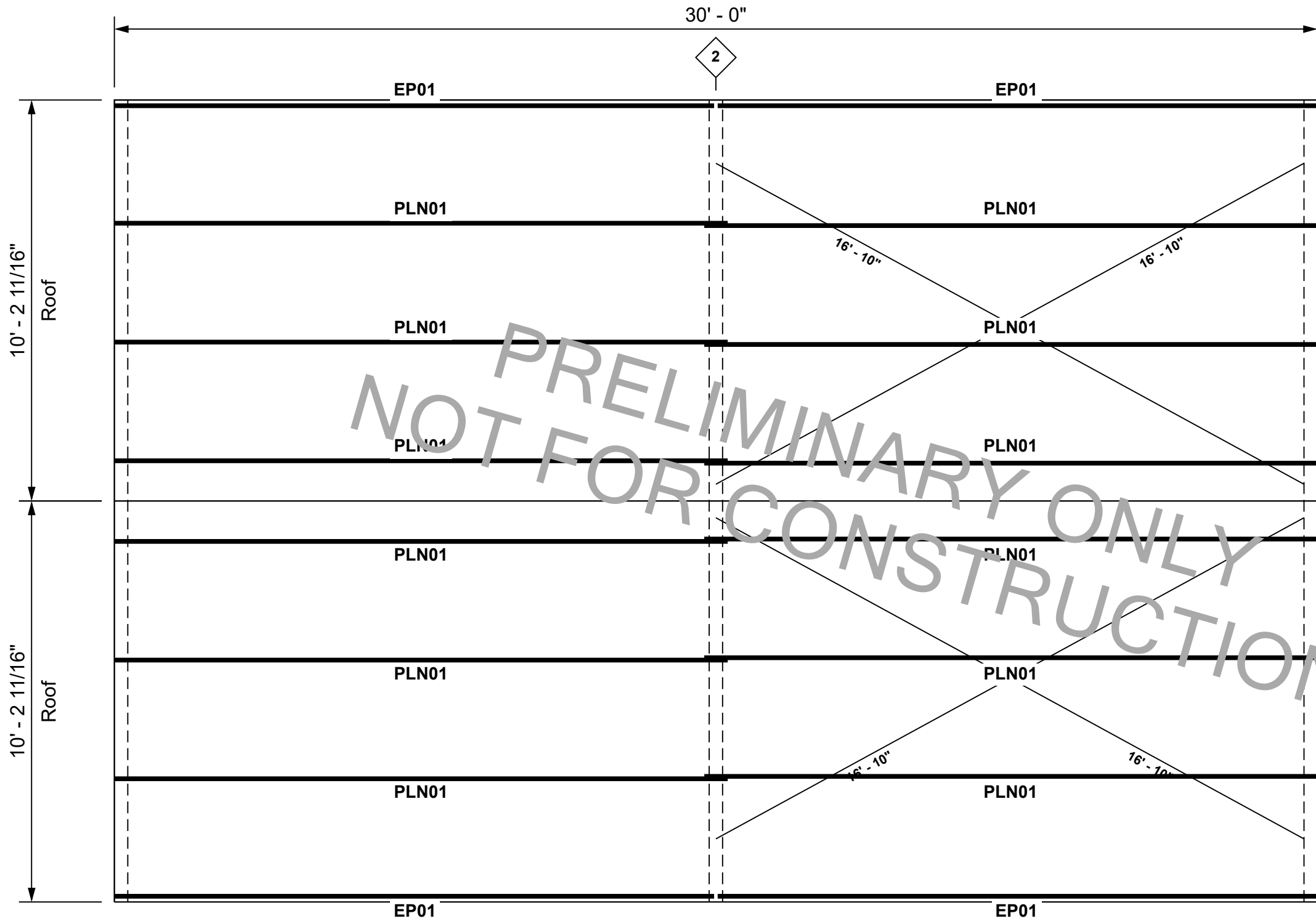


This illustration is for reference only, and is to be used to supplement the engineering drawings. If any discrepancies occur, the engineering plans will always take precedence.

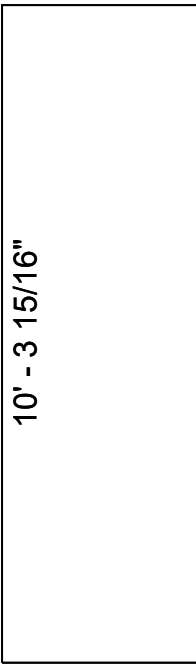
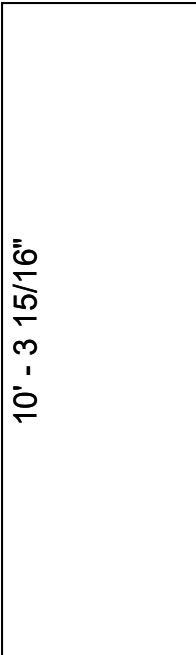
Portal Details



Member Table		
Mark	Product	Length
EP01	6in x 3.5in 16G Eave Strut	15' - 0"
PLN01	6" x 16ga. LGSI ZEE	15' - 3 1/2"



NOT FOR PRELIMINARY ONLY CONSTRUCTION



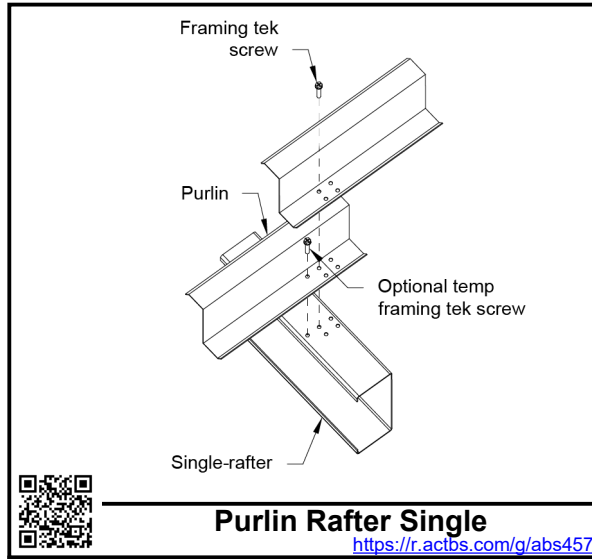
Roof Sheeting:
PBR-Panel 24G
Parchment

This illustration is for reference only, and is to be used to supplement the engineering drawings. If any discrepancies occur, the engineering plans will always take precedence.



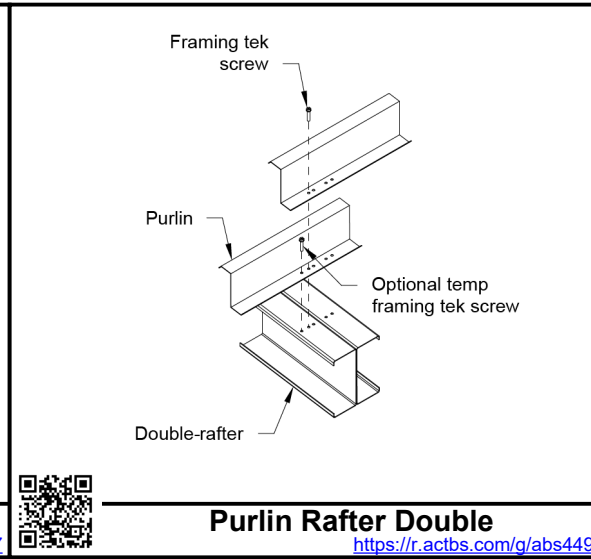
Roof Framing Plan





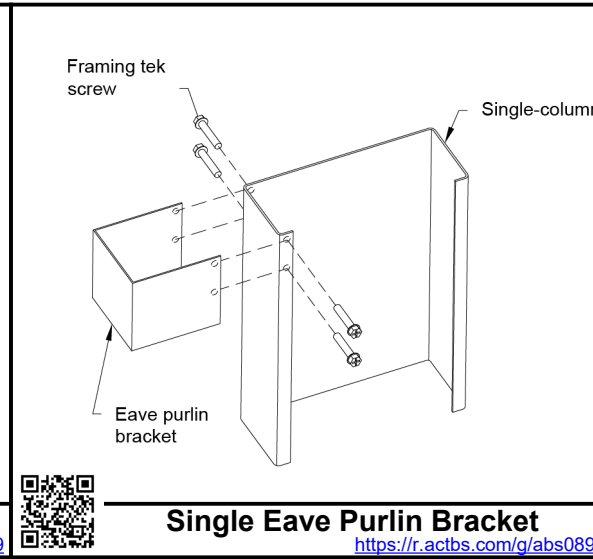
Purlin Rafter Single

<https://r.actbs.com/g/abs457>



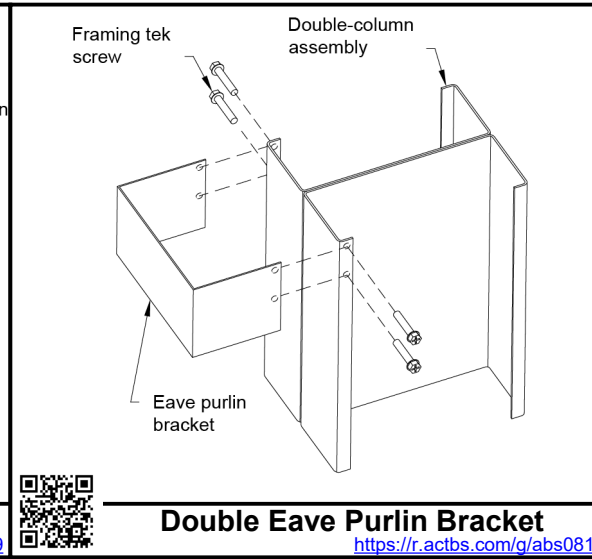
Purlin Rafter Double

<https://r.actbs.com/g/abs449>



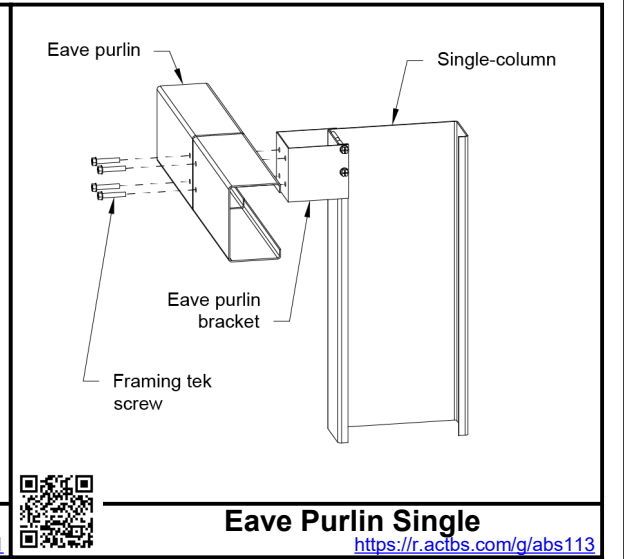
Single Eave Purlin Bracket

<https://r.actbs.com/g/abs089>



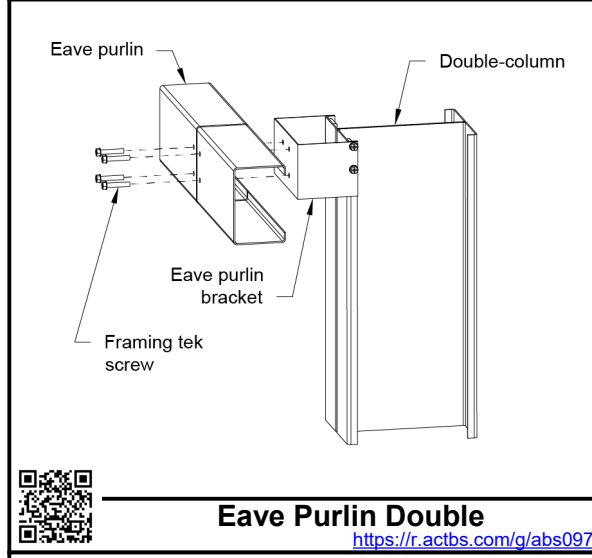
Double Eave Purlin Bracket

<https://r.actbs.com/g/abs081>



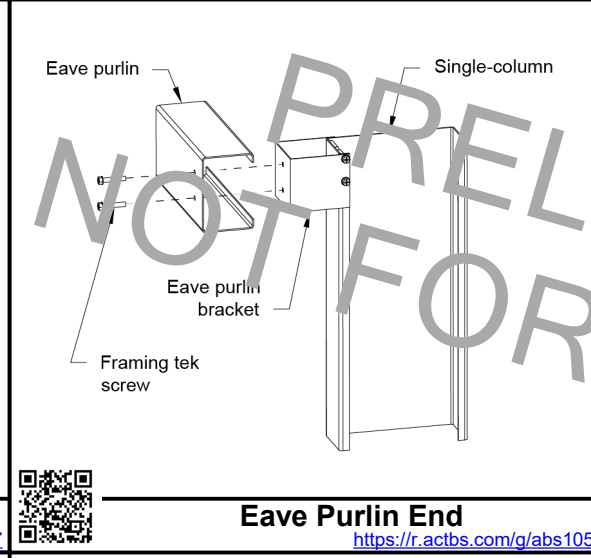
Eave Purlin Single

<https://r.actbs.com/g/abs113>



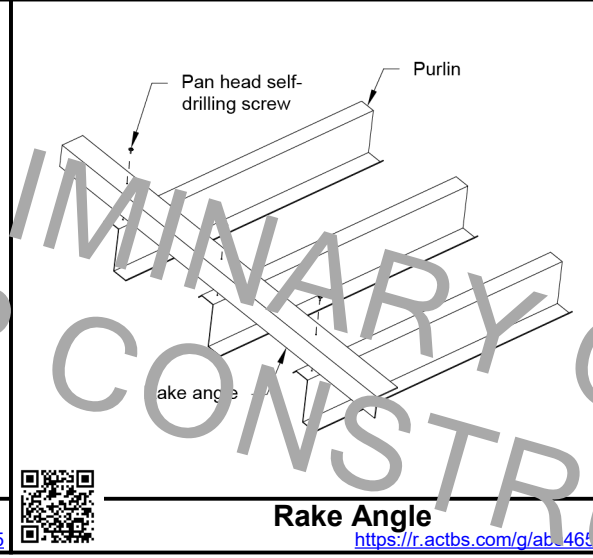
Eave Purlin Double

<https://r.actbs.com/g/abs097>



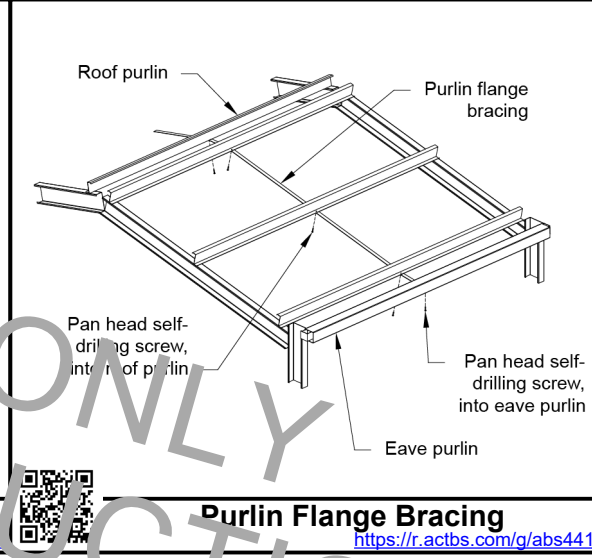
Eave Purlin End

<https://r.actbs.com/g/abs105>



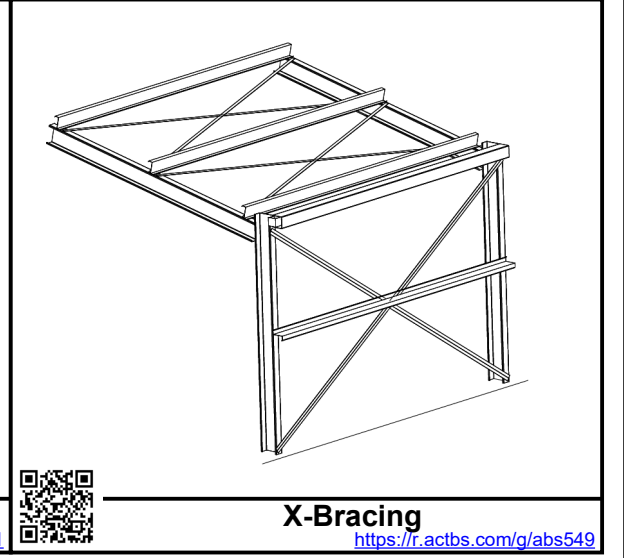
Rake Angle

<https://r.actbs.com/g/abs465>



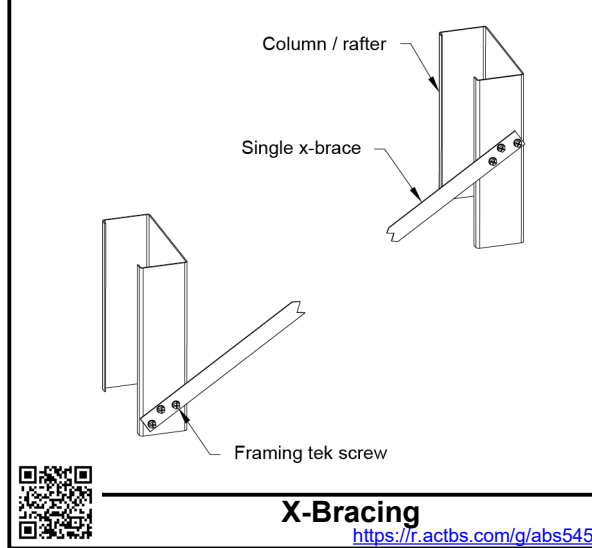
Purlin Flange Bracing

<https://r.actbs.com/g/abs441>



X-Bracing

<https://r.actbs.com/g/abs549>



X-Bracing

<https://r.actbs.com/g/abs545>

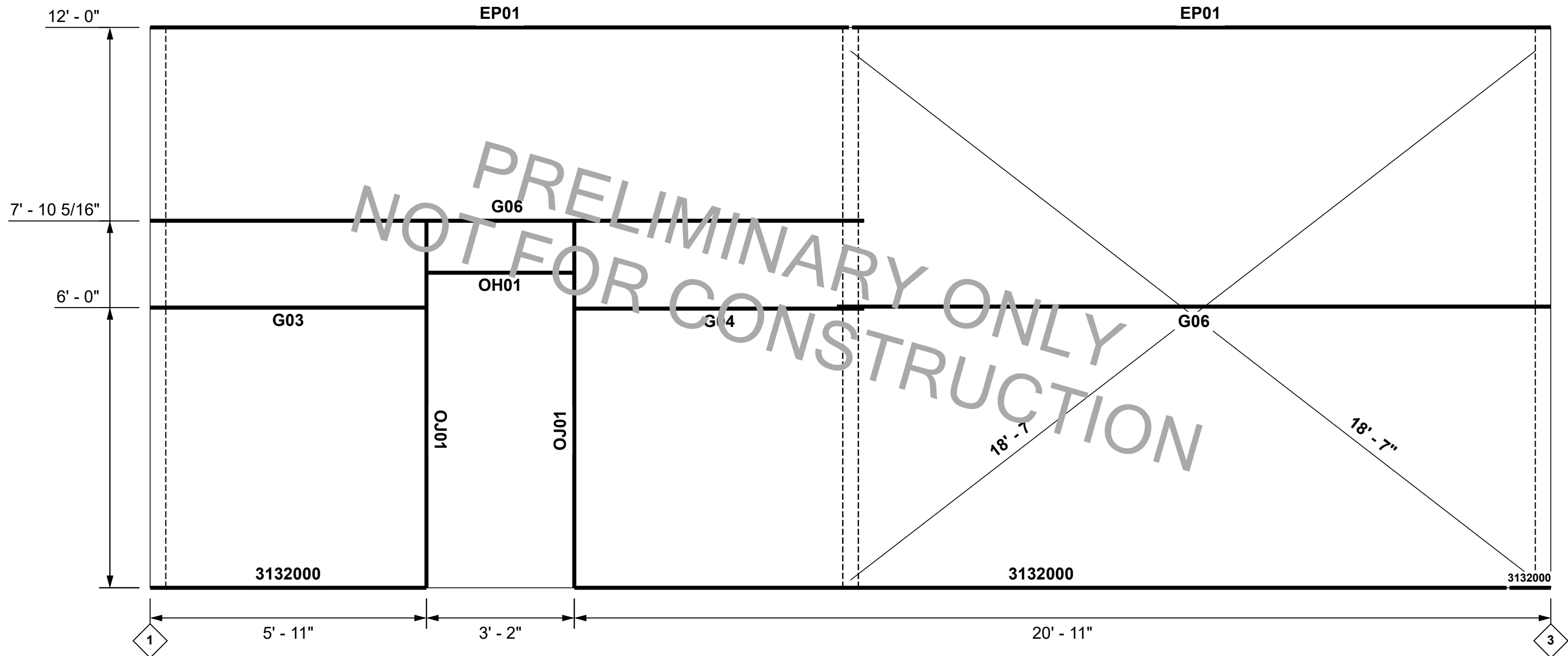
This illustration is for reference only, and is to be used to supplement the engineering drawings. If any discrepancies occur, the engineering plans will always take precedence.



Roof Details



Member Table		
Mark	Product	Length
3132000	Formed Base Angle 18G	Stock Length
EP01	6in x 3.5in 16G Eave Strut	15' - 0"
G03	6" x 12ga. LGSi ZEE	5' - 11"
G04	6" x 12ga. LGSi ZEE	6' - 2 1/2"
G06	6" x 12ga. LGSi ZEE	15' - 3 1/2"
OH01	6" x 16ga. CEE	3' - 2"
OJ01	6in x 3in 16G Channel	7' - 10 5/16"



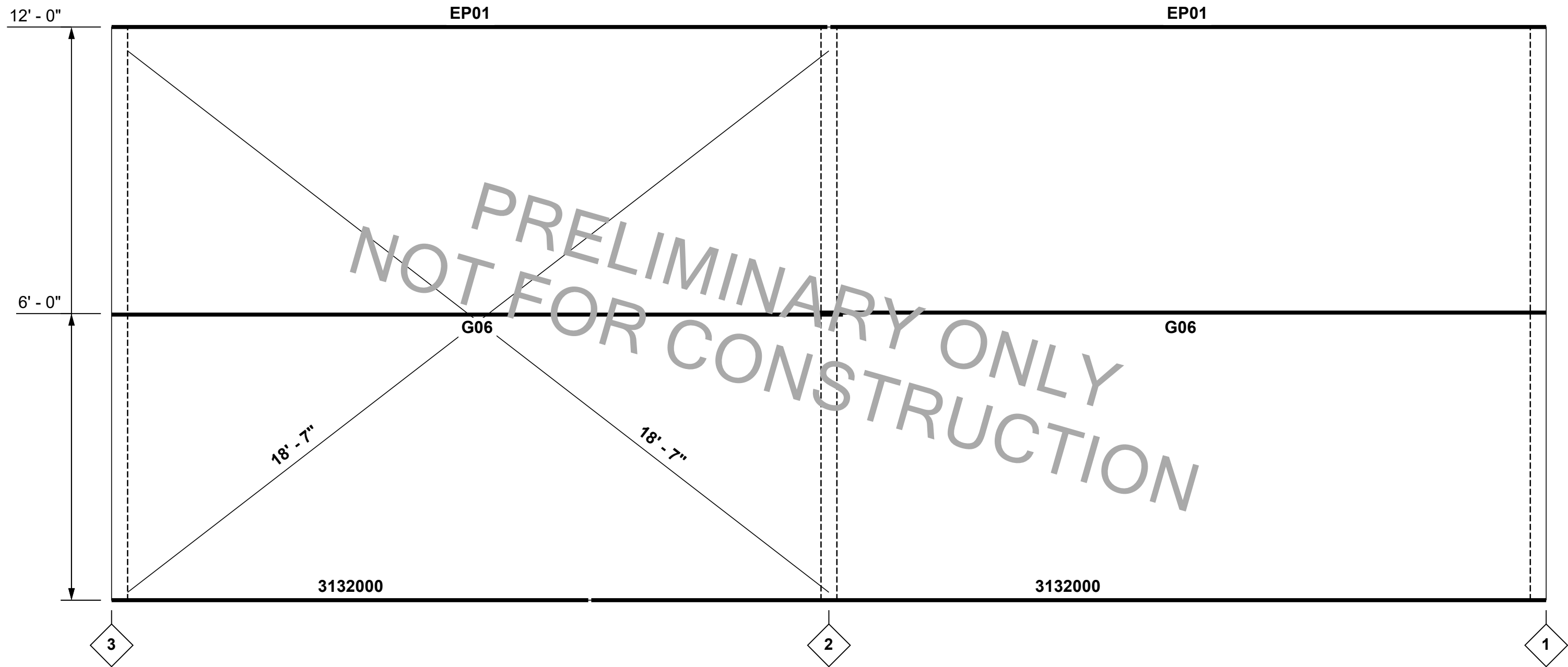
This illustration is for reference only, and is to be used to supplement the engineering drawings. If any discrepancies occur, the engineering plans will always take precedence.



Sidewall A Girt Layout, Frame Line A



Member Table		
Mark	Product	Length
3132000	Formed Base Angle 18G	Stock Length
EP01	6in x 3.5in 16G Eave Strut	15' - 0"
G06	6" x 12ga. LGS I ZEE	15' - 3 1/2"

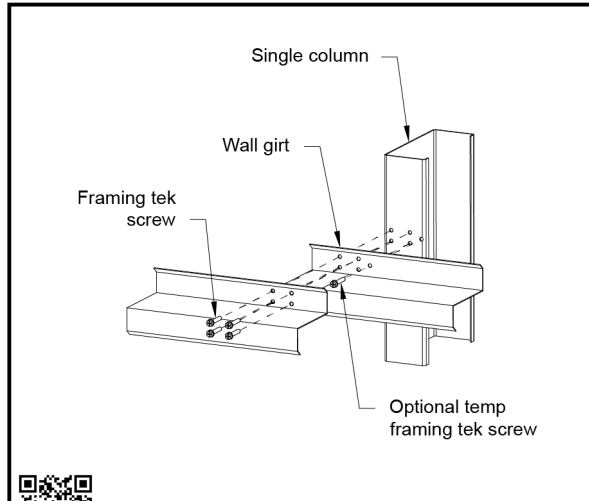


This illustration is for reference only, and is to be used to supplement the engineering drawings. If any discrepancies occur, the engineering plans will always take precedence.



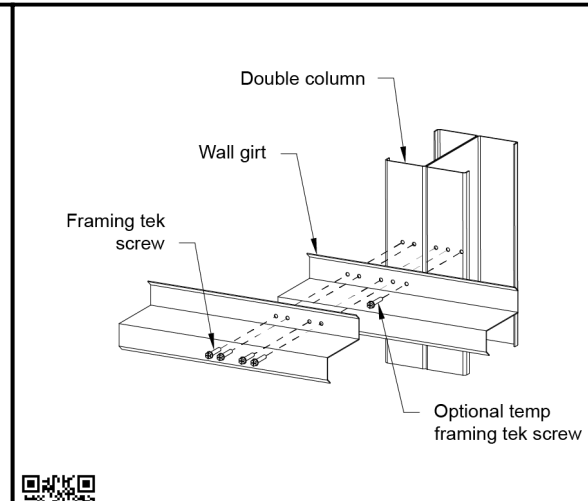
Sidewall B Girt Layout, Frame Line C





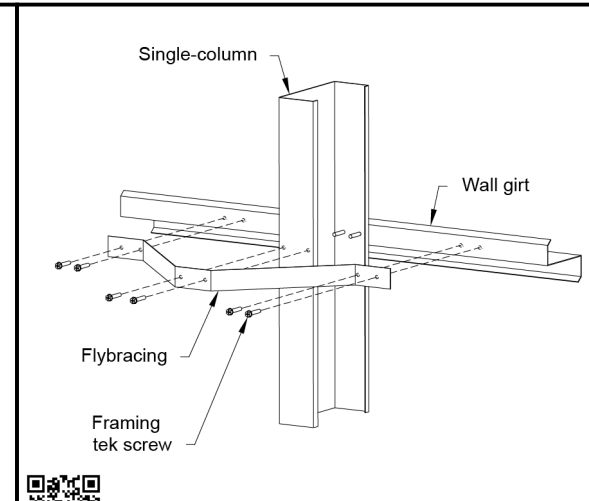
Girt Column Single

<https://r.actbs.com/g/abs225>



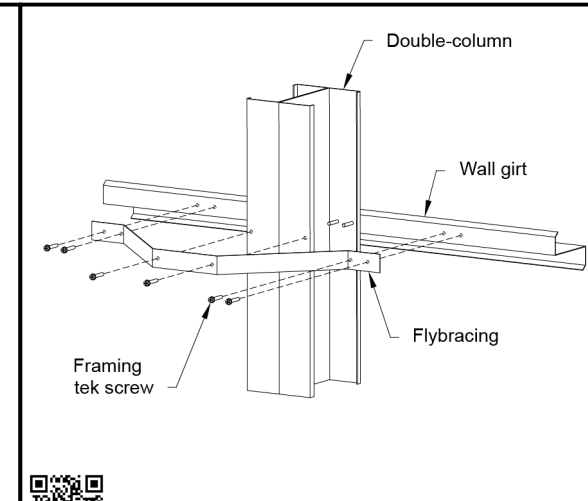
Girt Column Double

<https://r.actbs.com/g/abs217>



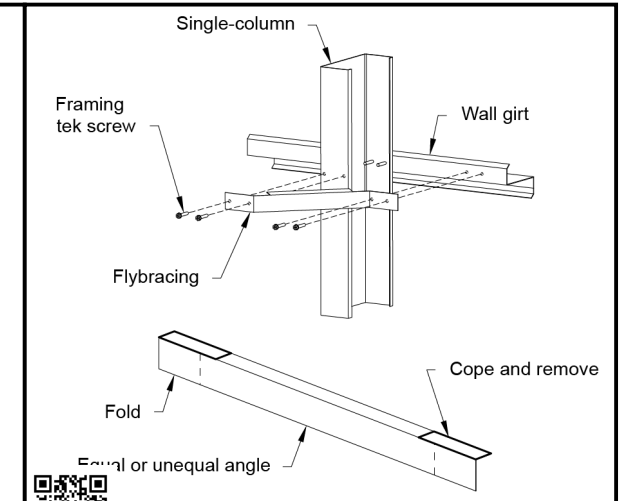
Flybrace Single

<https://r.actbs.com/g/abs205>



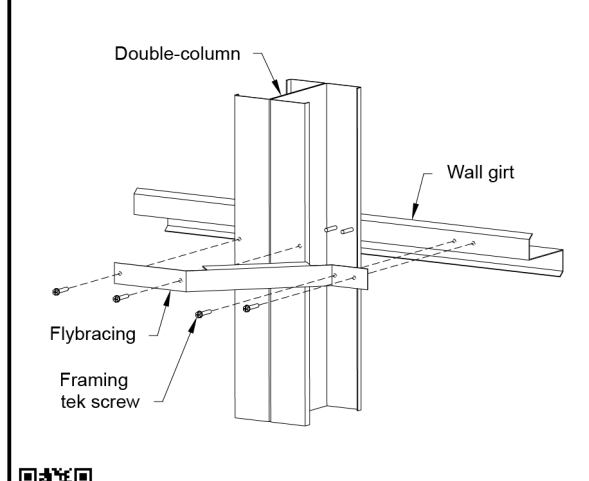
Flybrace Double

<https://r.actbs.com/g/abs197>



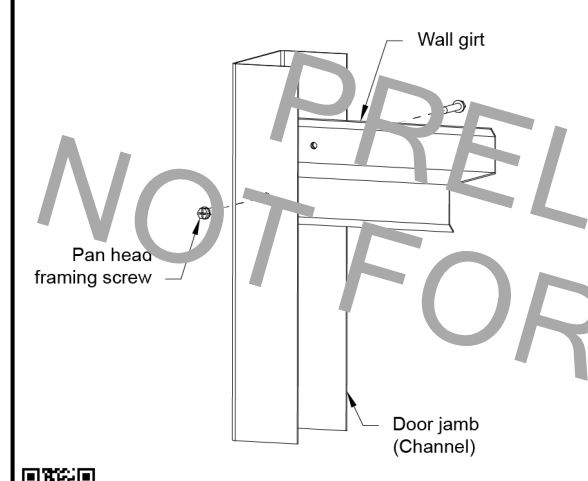
Flybrace Single

<https://r.actbs.com/g/abs201>



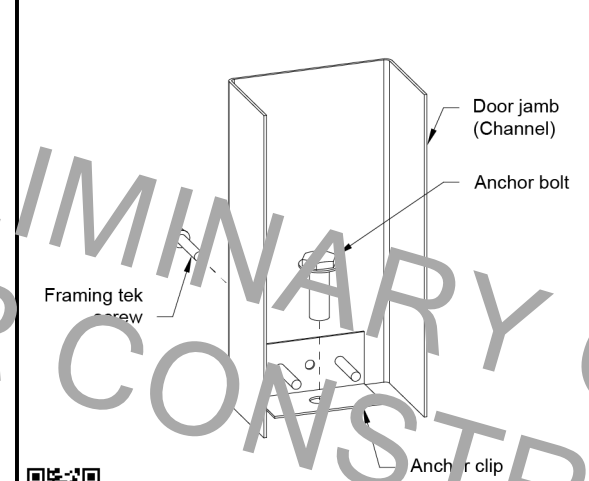
FlyBrace Double

<https://r.actbs.com/g/abs193>



Channel Jamb Detail

<https://r.actbs.com/g/abs501>



Channel Jamb Base Detail

<https://r.actbs.com/g/abs495>

NOT PRELIMINARY ONLY FOR CONSTRUCTION

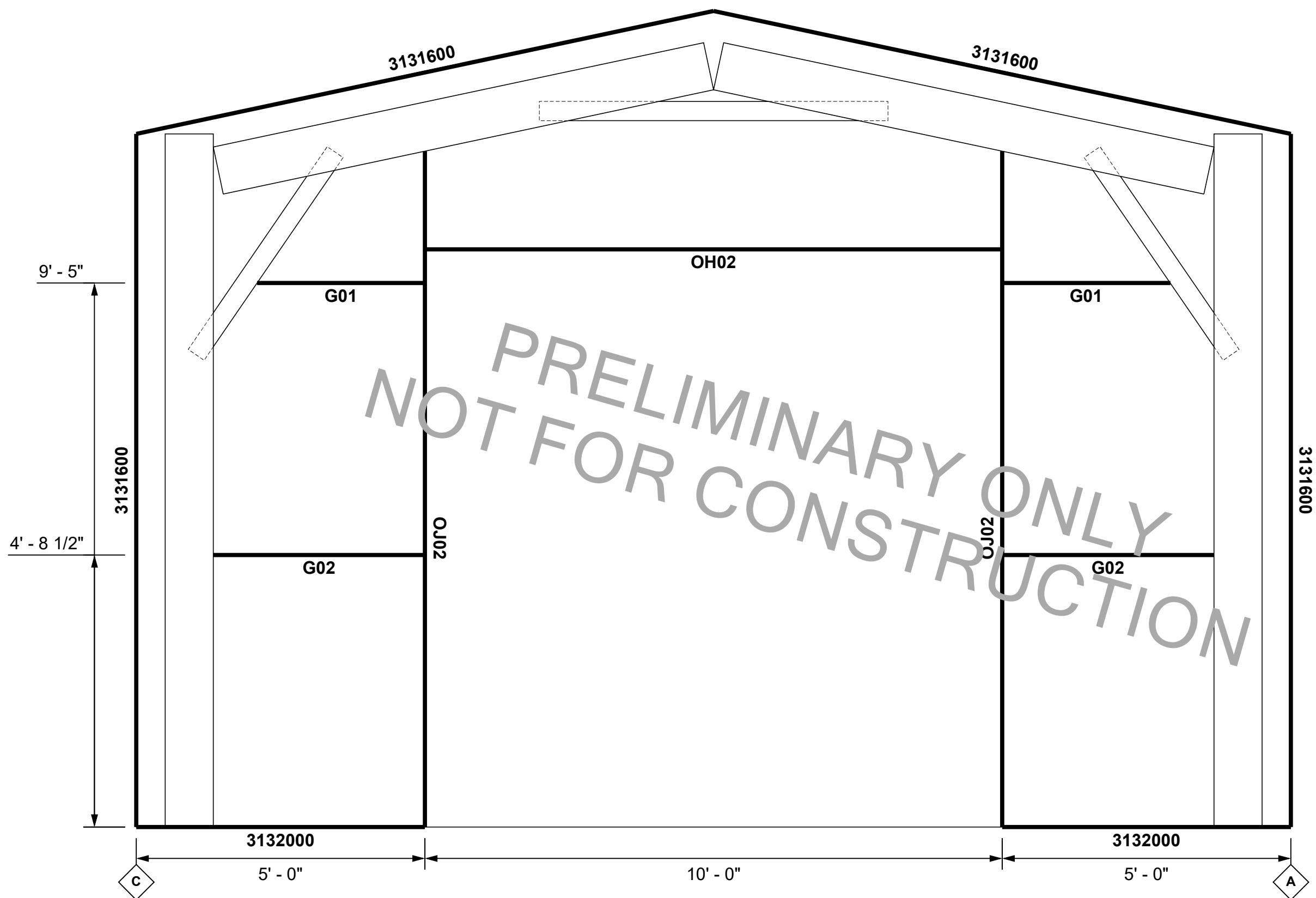


This illustration is for reference only, and is to be used to supplement the engineering drawings. If any discrepancies occur, the engineering plans will always take precedence.

Wall Details



Member Table		
Mark	Product	Length
3132000	Formed Base Angle 18G	Stock Length
G01	6" x 12ga. LGSi ZEE	2' - 10 15/16"
G02	6" x 12ga. LGSi ZEE	3' - 8"
OH02	6" x 16ga. CEE	10' - 0"
OJ02	6in x 4in 14G Channel	11' - 8 3/8"
3131600	2in x 4in Angle	Stock Length



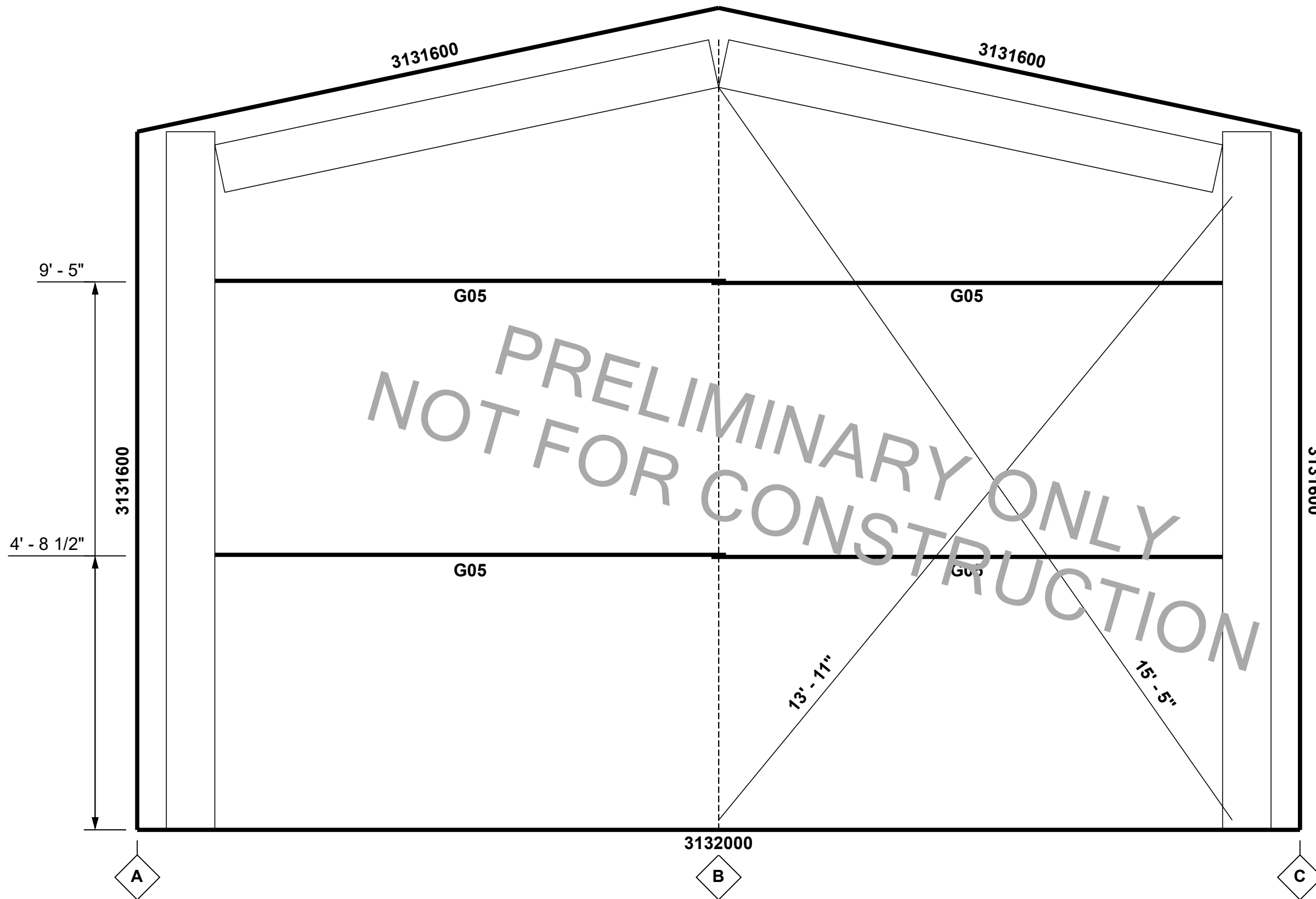
This illustration is for reference only, and is to be used to supplement the engineering drawings. If any discrepancies occur, the engineering plans will always take precedence.



Endwall A Girt Layout, Frame Line 1



Member Table		
Mark	Product	Length
3132000	Formed Base Angle 18G	Stock Length
G05	6" x 12ga. LGSi ZEE	8' - 9 1/2"
3131600	2in x 4in Angle	Stock Length

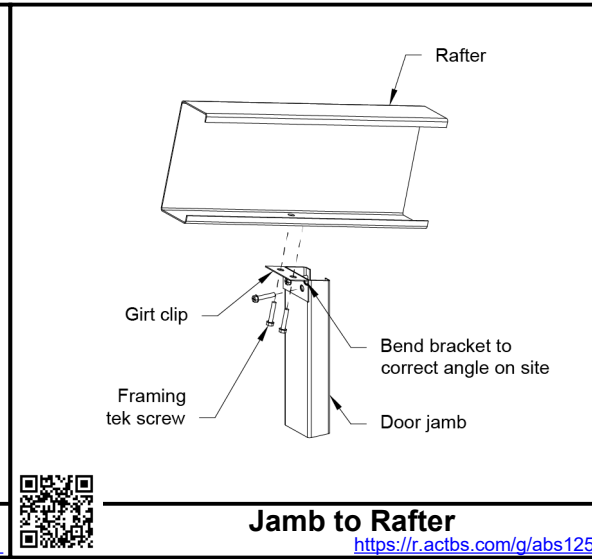
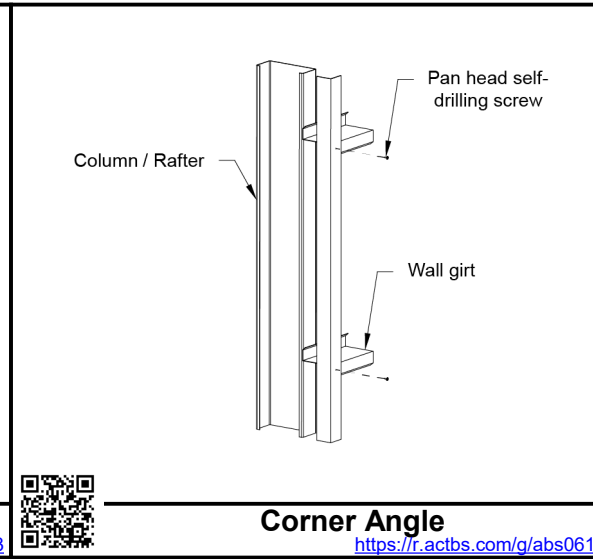
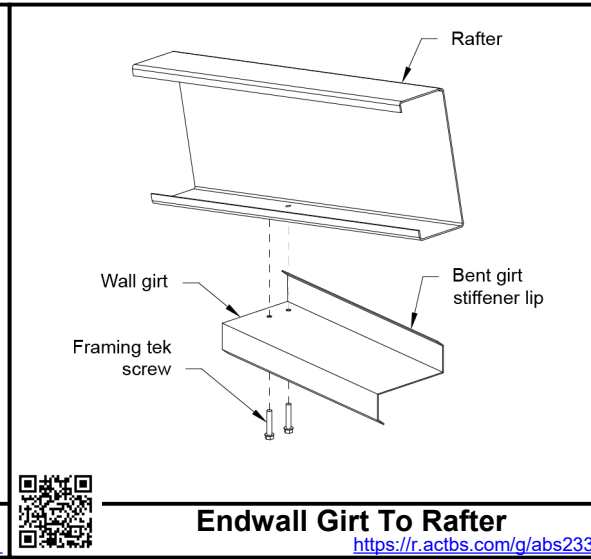
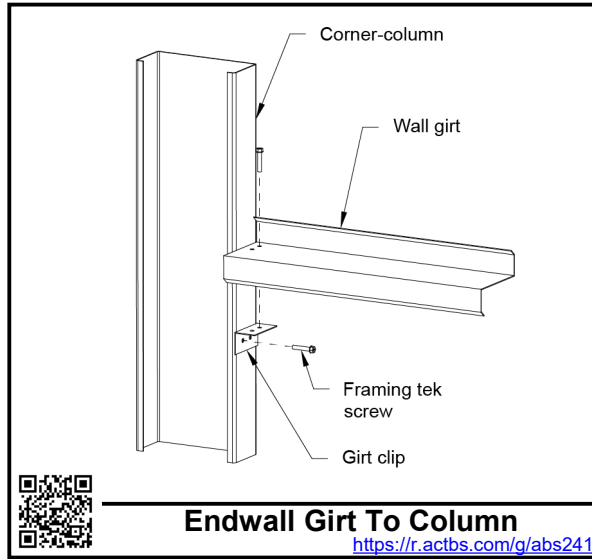


This illustration is for reference only, and is to be used to supplement the engineering drawings. If any discrepancies occur, the engineering plans will always take precedence.



Endwall B Girt Layout, Frame Line 3





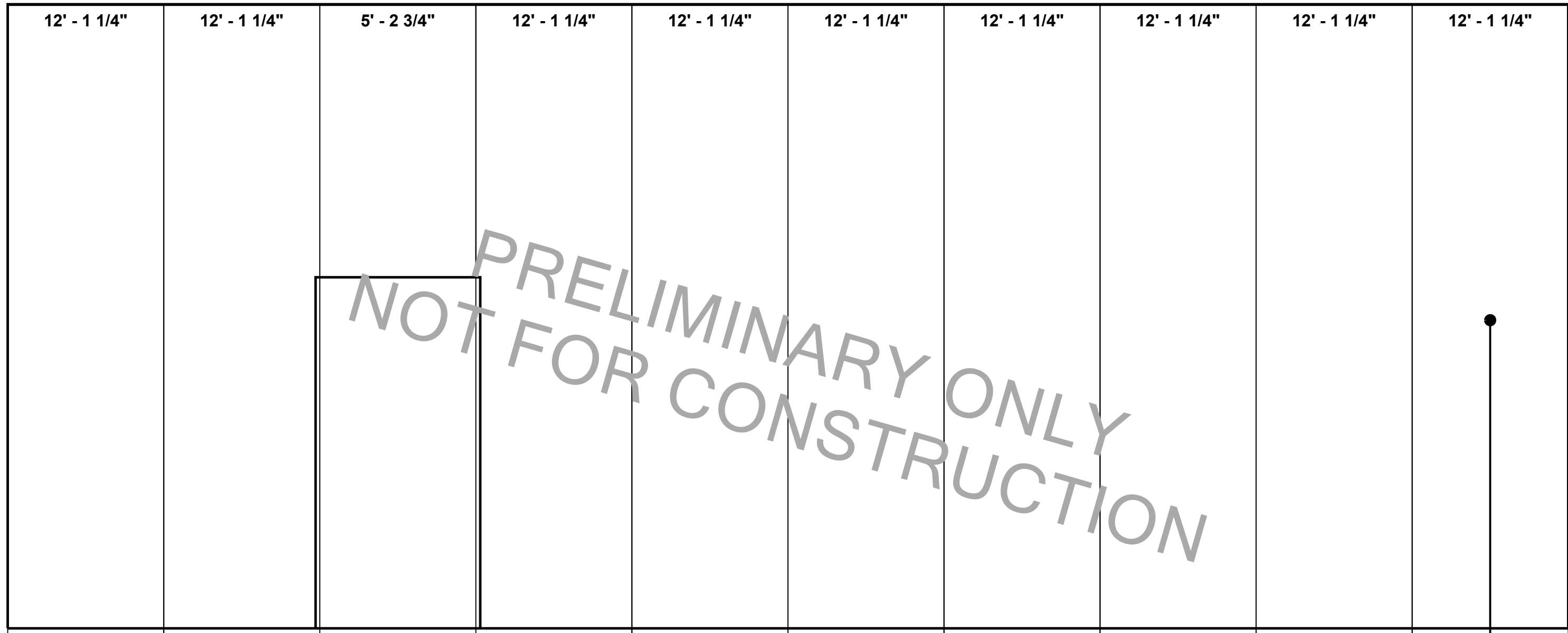
PRELIMINARY ONLY
 NOT FOR CONSTRUCTION



This illustration is for reference only, and is to be used to supplement the engineering drawings. If any discrepancies occur, the engineering plans will always take precedence.

Wall Details





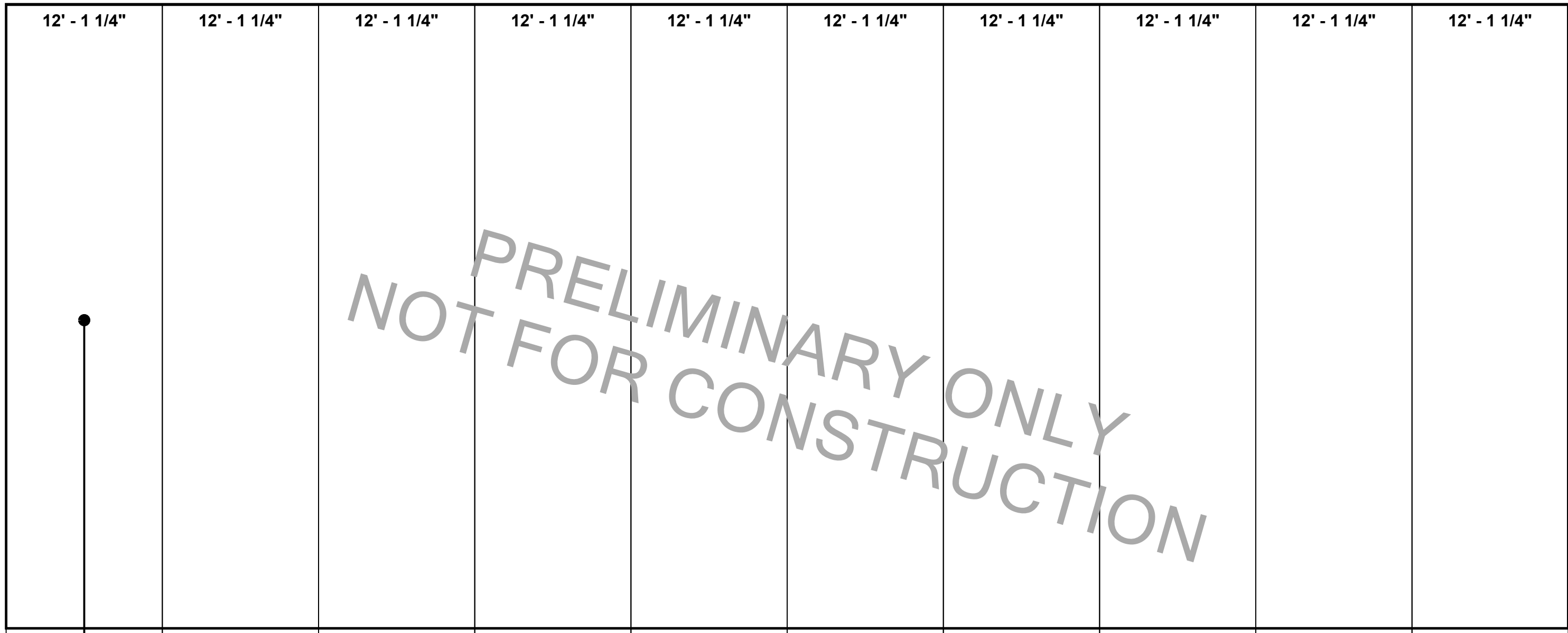
←
Sheeting starts with this sheet
and moves across the wall

This illustration is for reference only, and is to be used to supplement the engineering drawings. If any discrepancies occur, the engineering plans will always take precedence.



Sidewall A Sheeting Layout, Frame Line A





PRELIMINARY ONLY
NOT FOR CONSTRUCTION

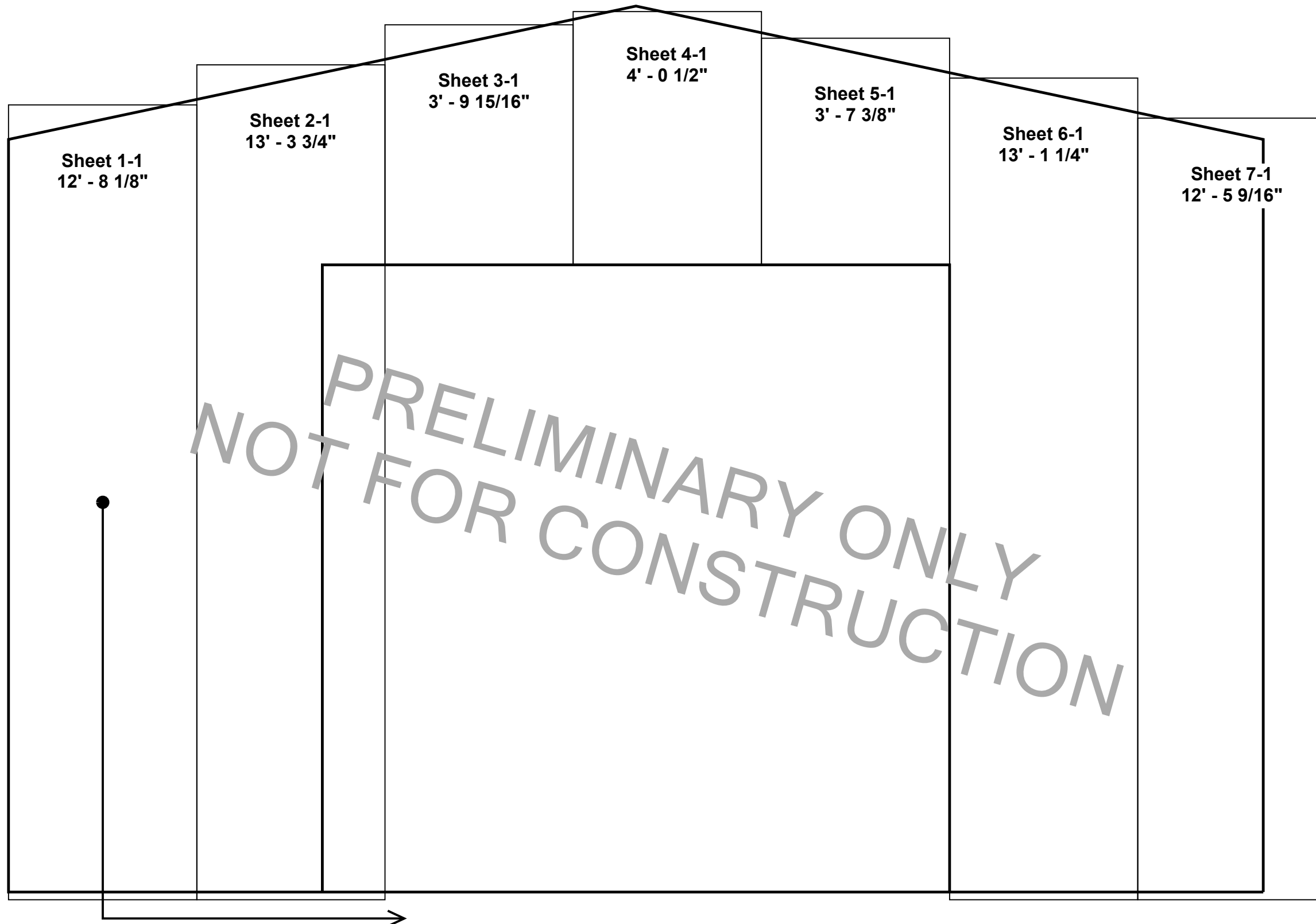
Sheeting starts with this sheet
and moves across the wall



This illustration is for reference only, and is to be used to supplement the engineering drawings. If any discrepancies occur, the engineering plans will always take precedence.

Sidewall B Sheeting Layout, Frame Line C





NOT FOR PRELIMINARY ONLY
 FOR CONSTRUCTION

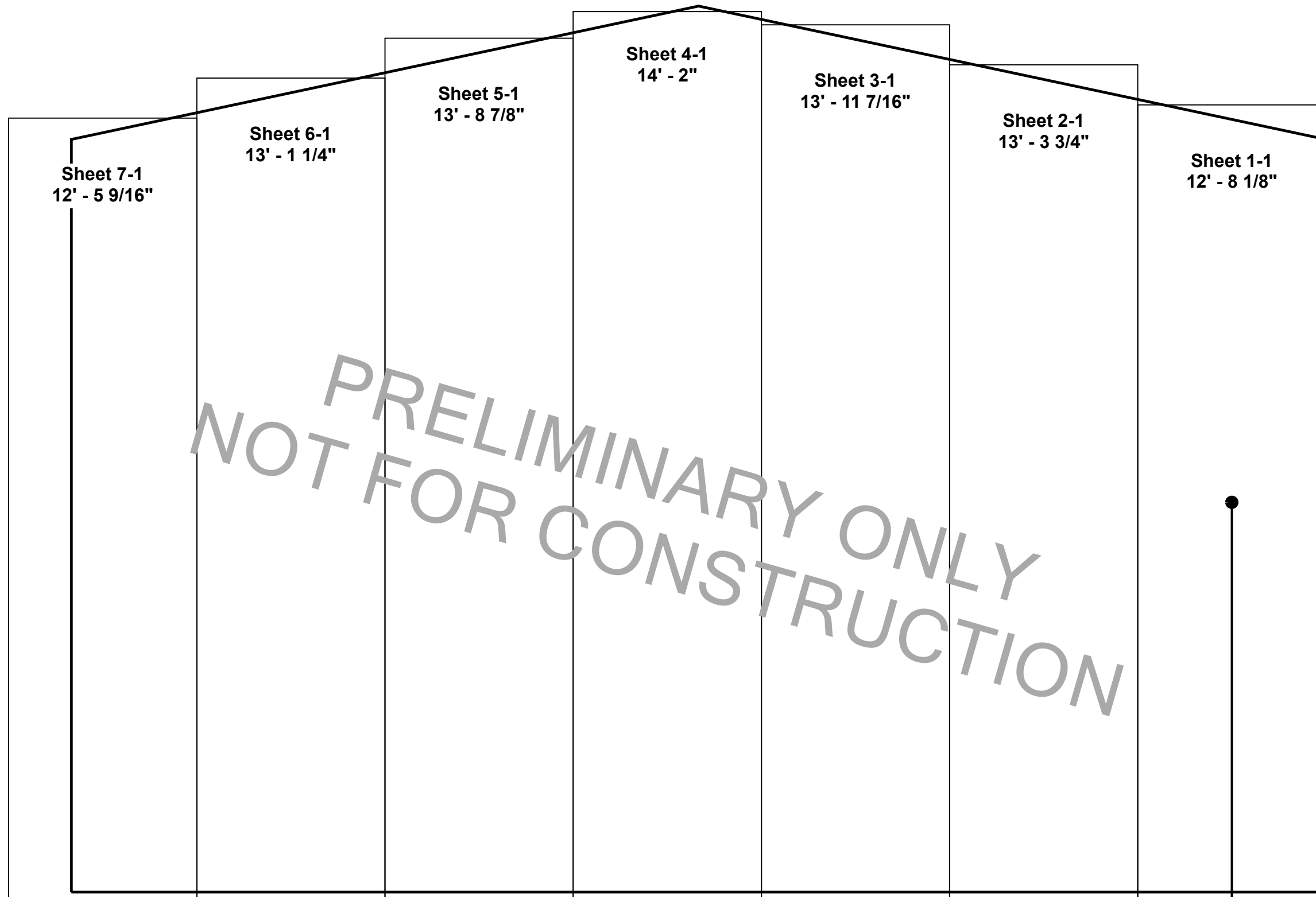
Sheeting starts with this sheet and moves across the wall

This illustration is for reference only, and is to be used to supplement the engineering drawings. If any discrepancies occur, the engineering plans will always take precedence.



Endwall A Sheeting Layout, Frame Line 1





PRELIMINARY ONLY
NOT FOR CONSTRUCTION

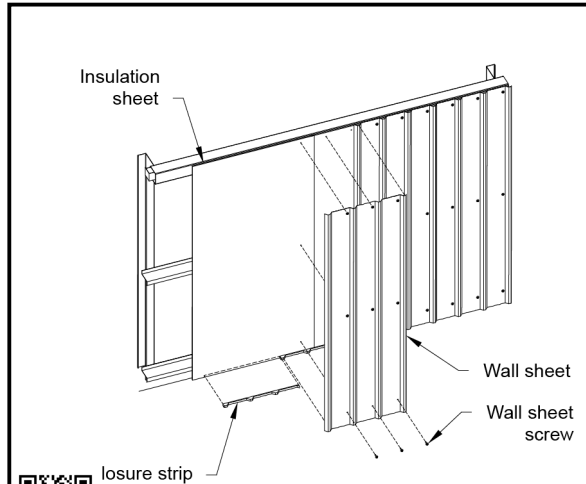
← Sheeting starts with this sheet and moves across the wall

This illustration is for reference only, and is to be used to supplement the engineering drawings. If any discrepancies occur, the engineering plans will always take precedence.



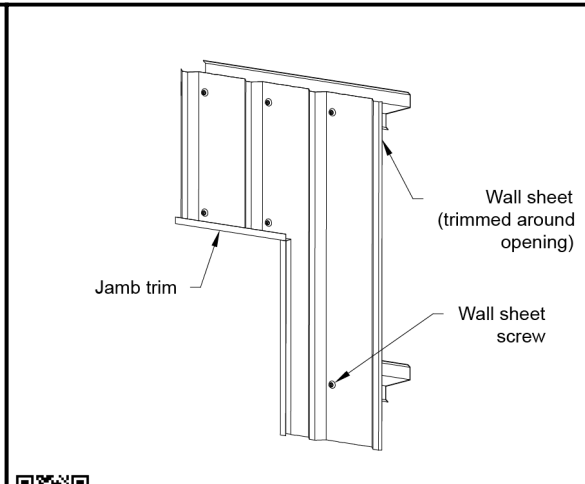
Endwall B Sheeting Layout, Frame Line 3





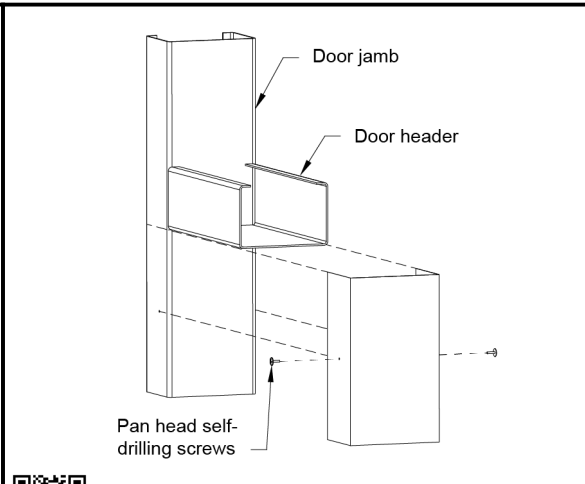
Wall Sheeting Overview

<https://r.actbs.com/g/abs537>



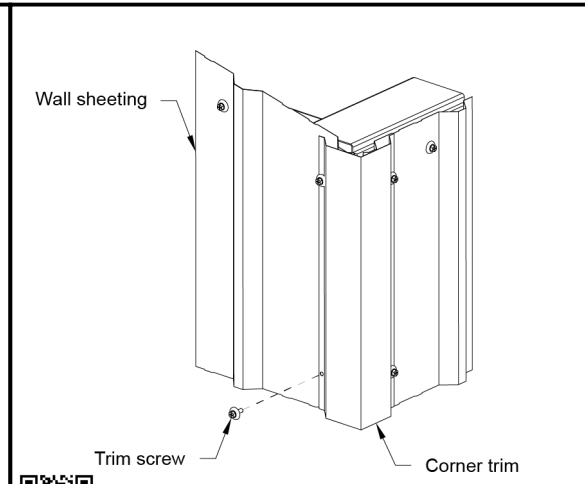
Wall Sheeting Openings

<https://r.actbs.com/g/abs533>



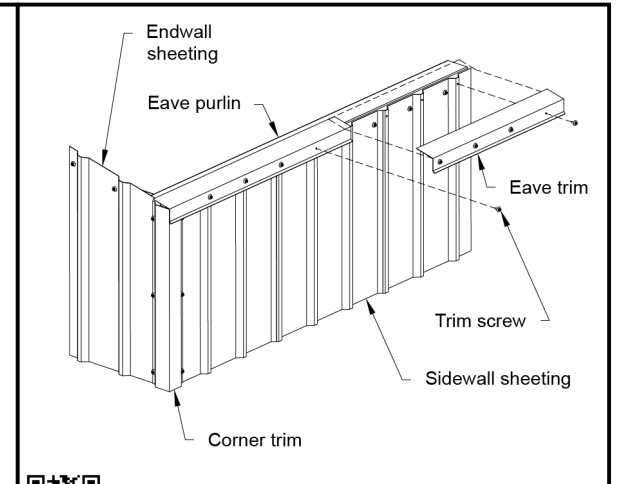
Door Jamb Cover

<https://r.actbs.com/g/abs069>



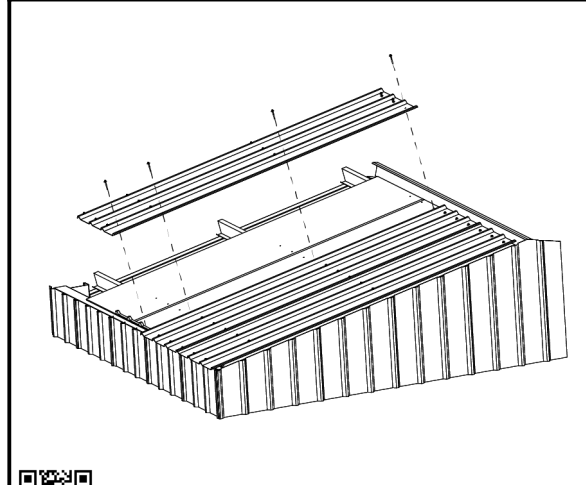
Corner Trim

<https://r.actbs.com/g/abs065>



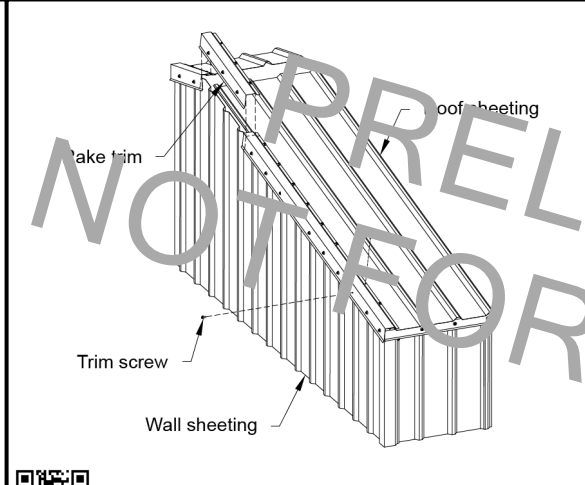
Eave Trim

<https://r.actbs.com/g/abs117>



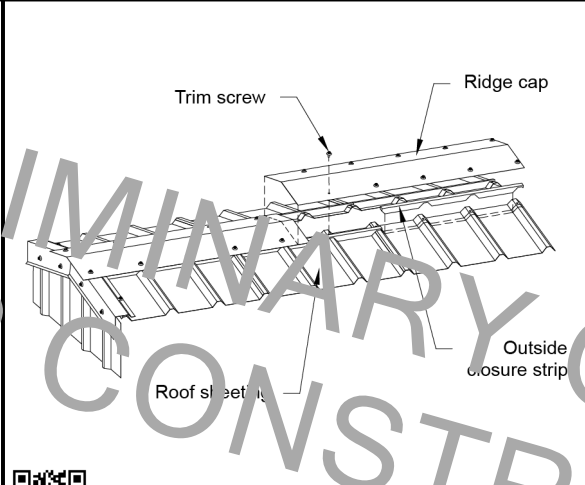
Roof Sheeting

<https://r.actbs.com/g/abs477>



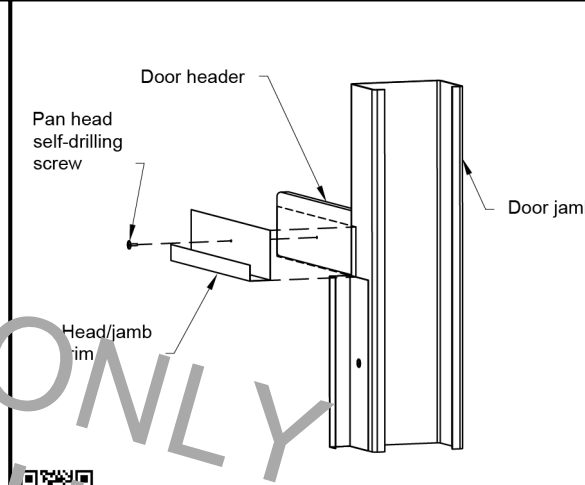
Rake Trim

<https://r.actbs.com/g/abs209>



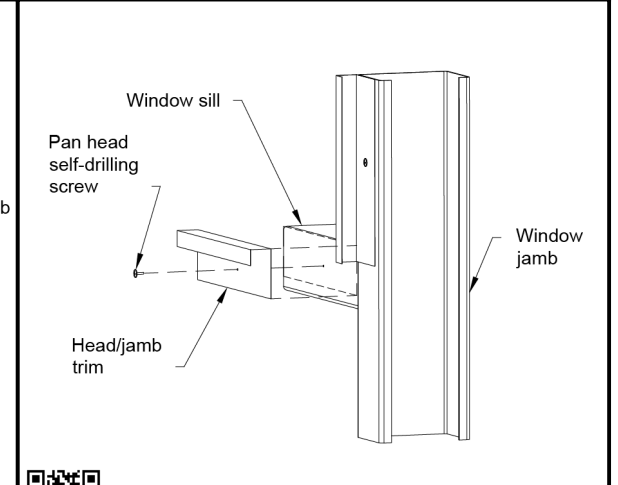
Ridge Cap

<https://r.actbs.com/g/abs469>



Jamb Trim Top

<https://r.actbs.com/g/abs277>



Jamb Trim Bottom

<https://r.actbs.com/g/abs273>

NOT FOR PRELIMINARY CONSTRUCTION ONLY



This illustration is for reference only, and is to be used to supplement the engineering drawings. If any discrepancies occur, the engineering plans will always take precedence.

Sheeting & Trim Details

