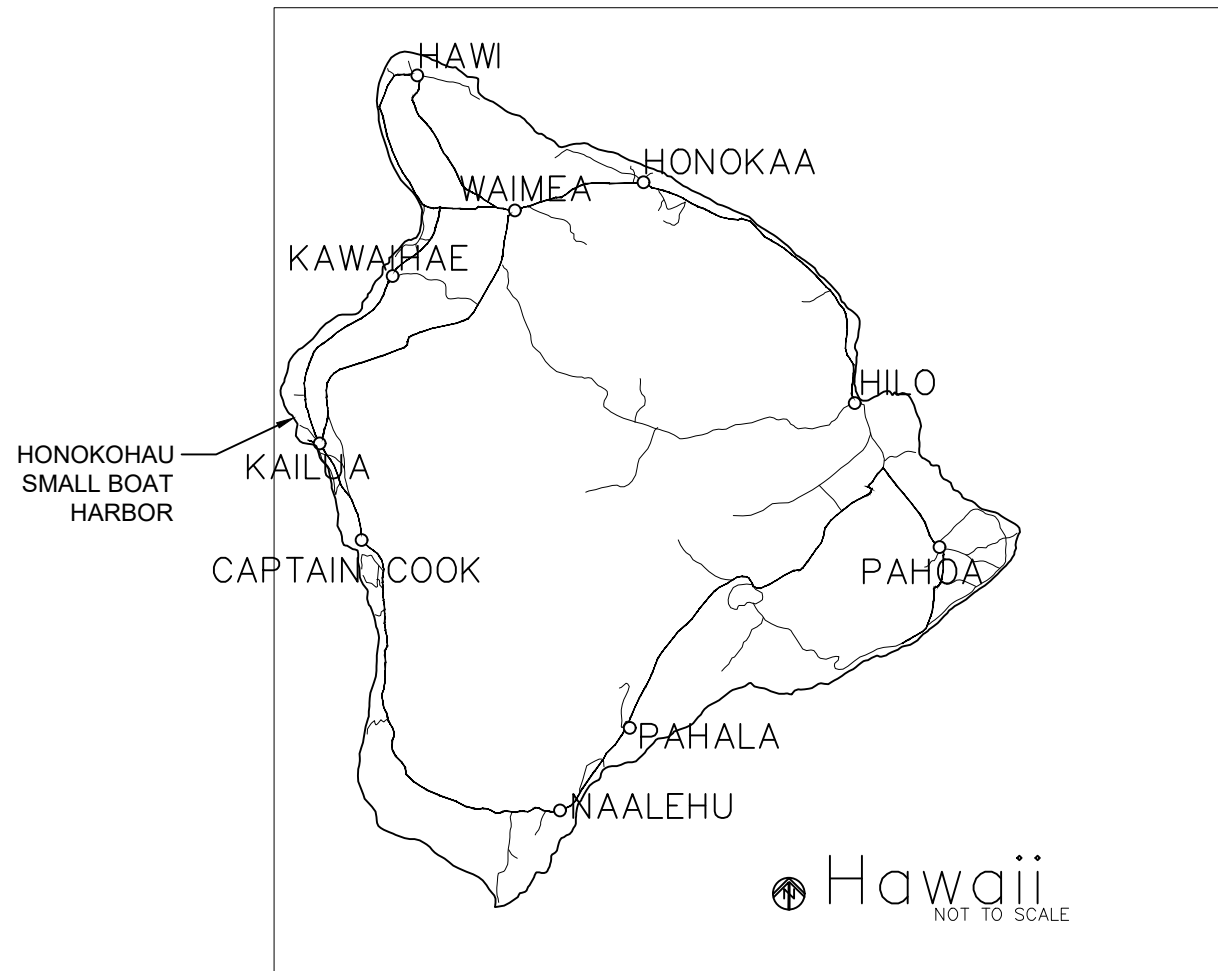


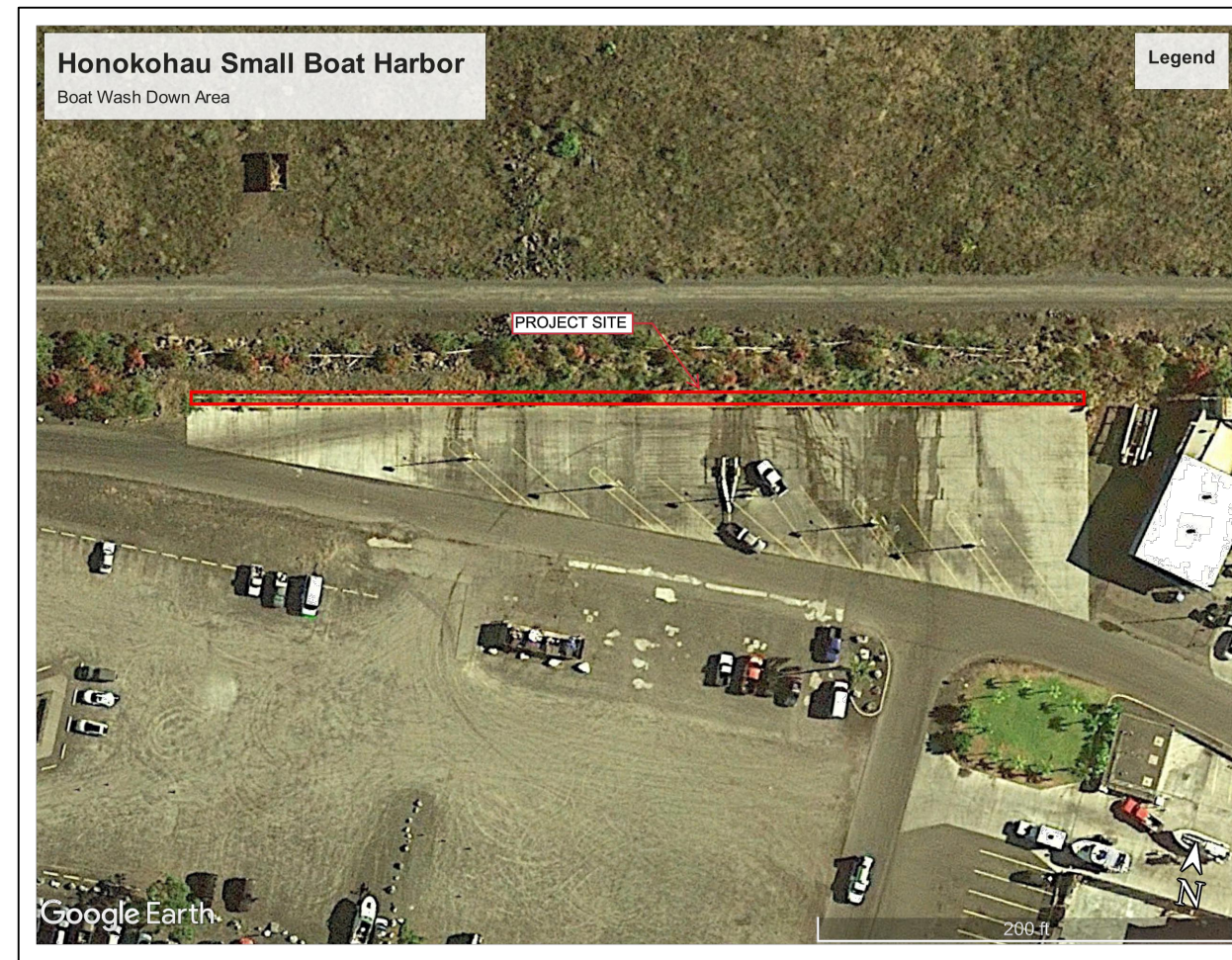
STATE OF HAWAII
 DEPARTMENT OF LAND AND NATURAL RESOURCES
 DIVISION OF BOATING AND OCEAN RECREATION
 JOB NO. HA22-06

HONOKOHAU SMALL BOAT HARBOR BOAT WASH DOWN DRAINAGE IMPROVEMENTS

KAILUA-KONA, ISLAND OF HAWAII, HAWAII



LOCATION MAP
(NOT TO SCALE)



VICINITY MAP
(NOT TO SCALE)

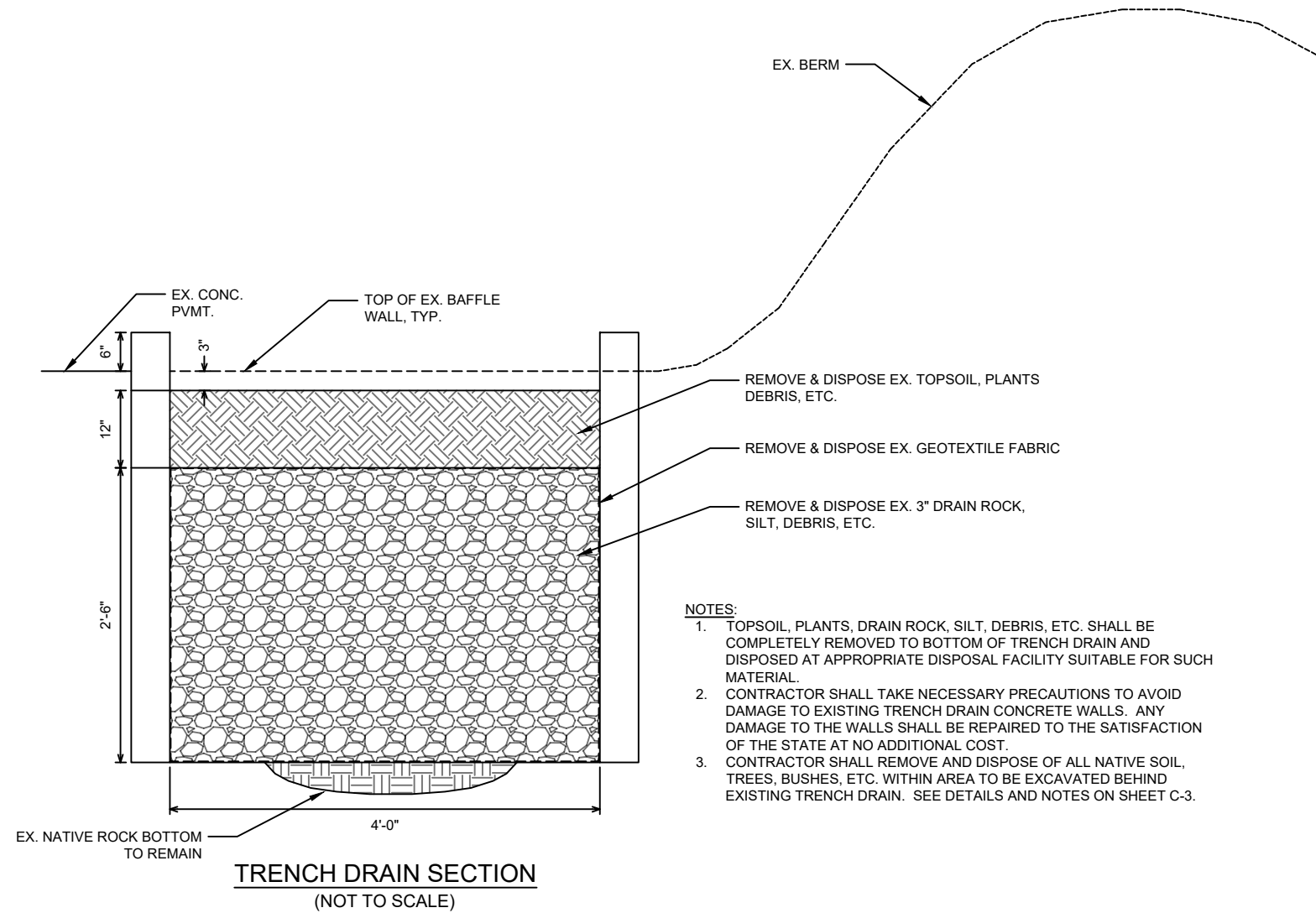
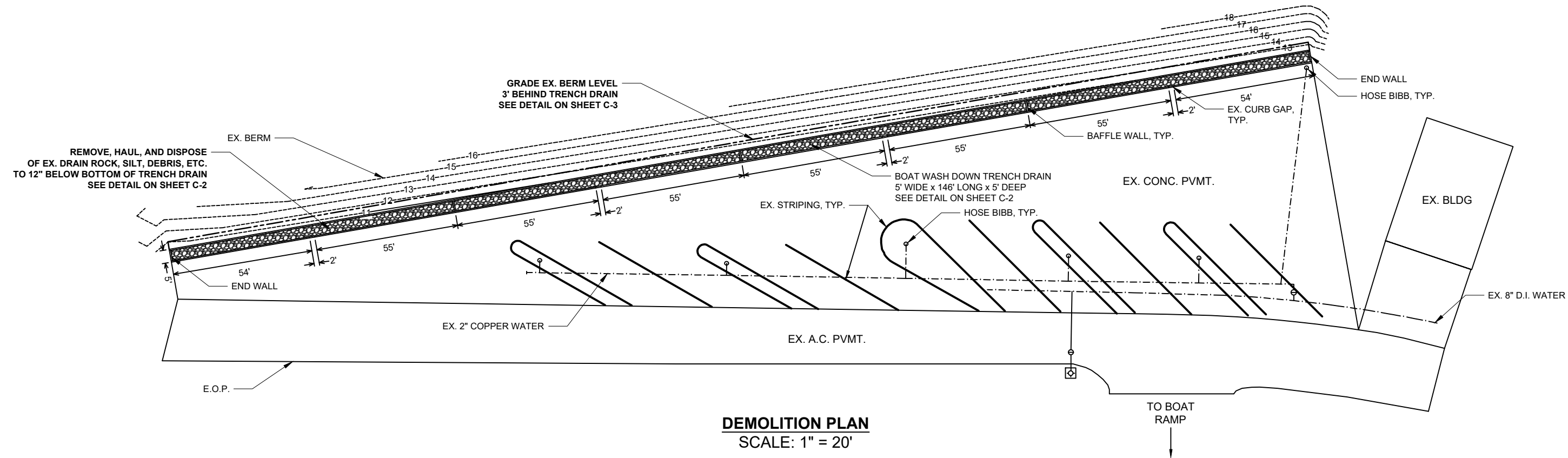
DRAWING INDEX		
DRAWING NO.	SHEET NO.	DESCRIPTION
T-1	1	TITLE SHEET
C-1	2	DEMOLITION PLAN
C-2	3	SITE PLAN & PRV DETAILS
C-3	4	DETAILS & PHOTOS

APPROVED:

EDWARD R. UNDERWOOD
 ADMINISTRATOR
 DIVISION OF BOATING AND OCEAN RECREATION
 DEPARTMENT OF LAND AND NATURAL RESOURCES

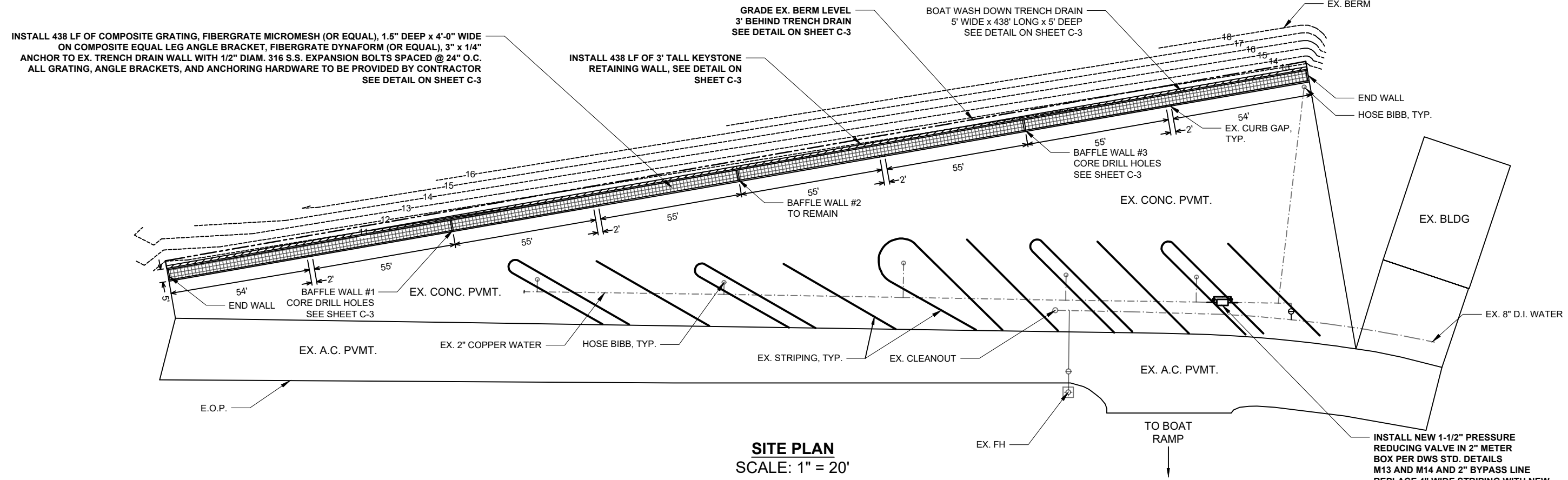
DATE: Sep 1, 2022

DRAWING NO.
T-1

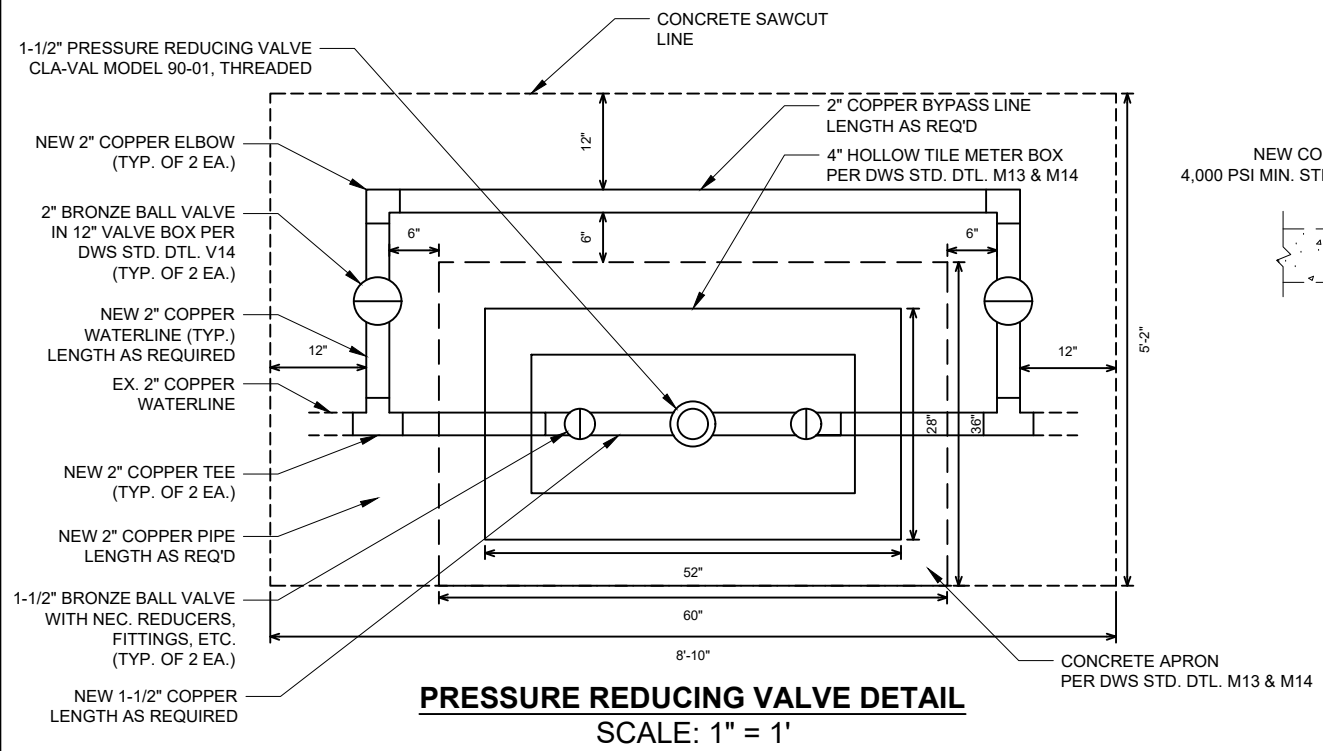
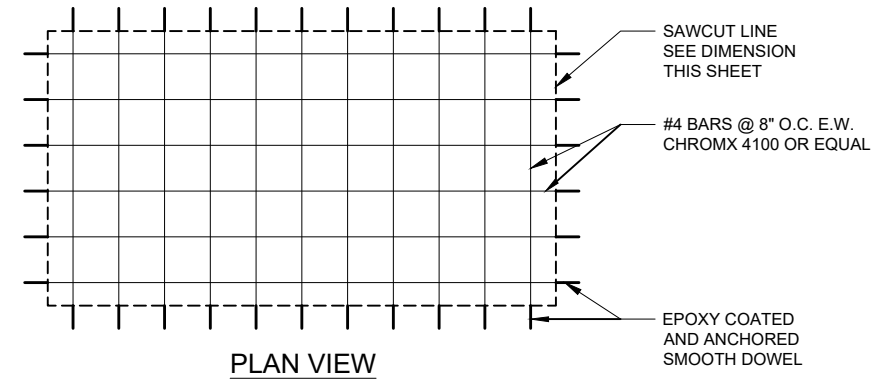


- NOTES:**
1. TOPSOIL, PLANTS, DRAIN ROCK, SILT, DEBRIS, ETC. SHALL BE COMPLETELY REMOVED TO BOTTOM OF TRENCH DRAIN AND DISPOSED AT APPROPRIATE DISPOSAL FACILITY SUITABLE FOR SUCH MATERIAL.
 2. CONTRACTOR SHALL TAKE NECESSARY PRECAUTIONS TO AVOID DAMAGE TO EXISTING TRENCH DRAIN CONCRETE WALLS. ANY DAMAGE TO THE WALLS SHALL BE REPAIRED TO THE SATISFACTION OF THE STATE AT NO ADDITIONAL COST.
 3. CONTRACTOR SHALL REMOVE AND DISPOSE OF ALL NATIVE SOIL, TREES, BUSHES, ETC. WITHIN AREA TO BE EXCAVATED BEHIND EXISTING TRENCH DRAIN. SEE DETAILS AND NOTES ON SHEET C-3.

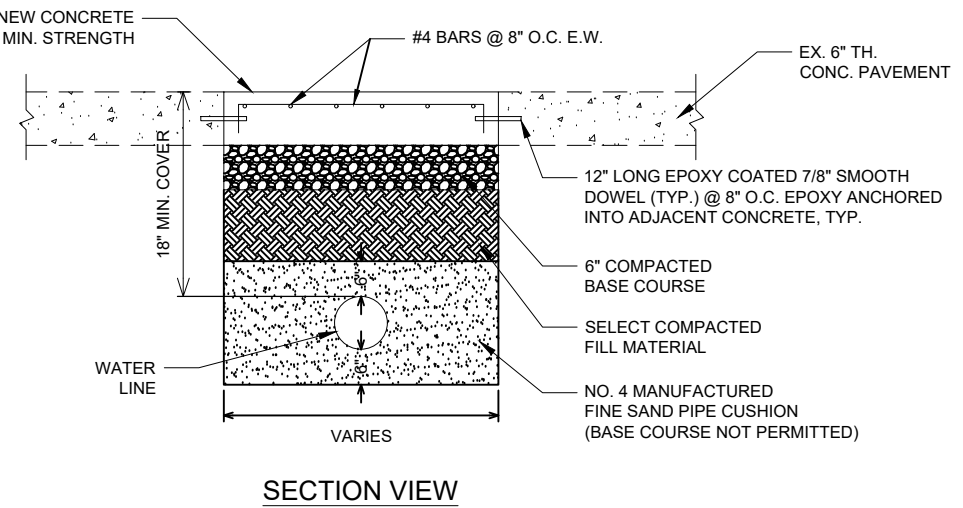
REVISION NO.	SYM.	DESCRIPTION	SHT./OF	DATE	APPROVED
HONOKOHAU SBH BOAT WASH DOWN DRAINAGE IMPROVEMENTS					
DEMOLITION PLAN					
DESIGNED:			SUBMITTED:		
DRAWN:			DATE: 9/1/22		
CHECKED:			SCALE:		
APPROVED:			DRAWING NO.		
			C-1		



SITE PLAN
SCALE: 1" = 20'

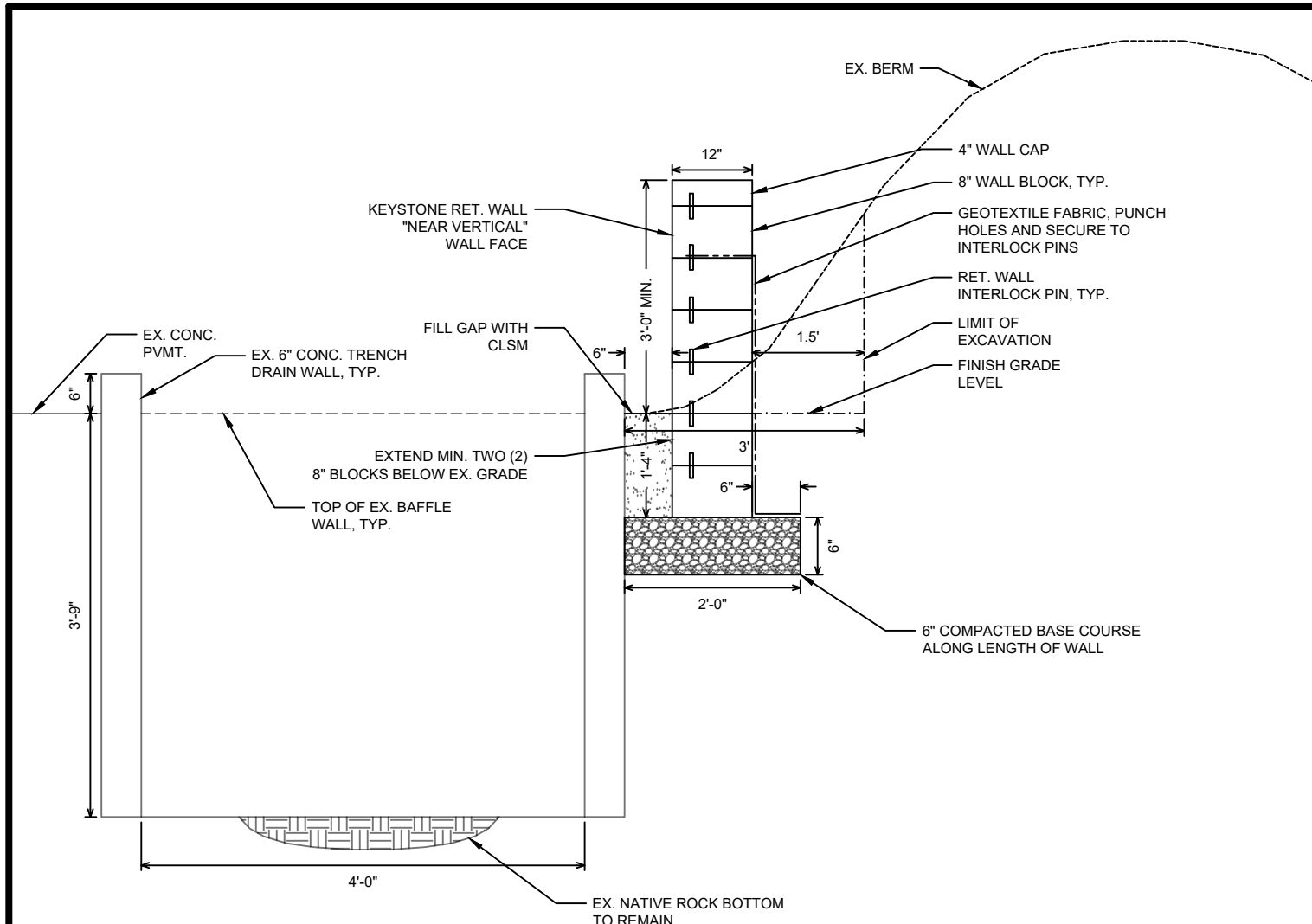


PRESSURE REDUCING VALVE DETAIL
SCALE: 1" = 1'



PAVEMENT REPAIR DETAIL
(NOT TO SCALE)

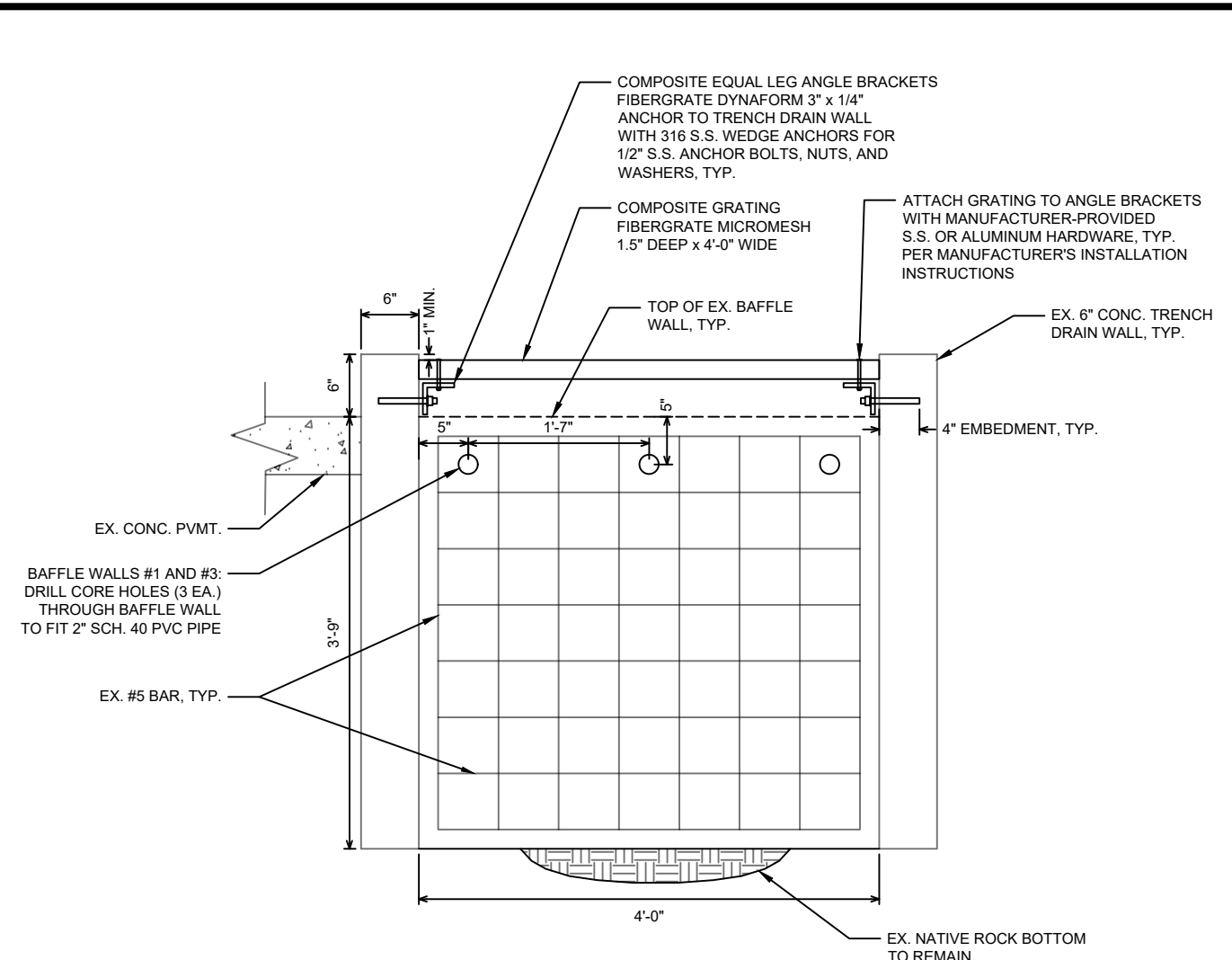
REVISION NO.	SYM.	DESCRIPTION	SHT./OF	DATE	APPROVED
HONOKOHAU SBH BOAT WASH DOWN DRAINAGE IMPROVEMENTS					
SITE PLAN & PRV DETAILS					
DESIGNED:			SUBMITTED:		
DRAWN:			DATE: 9/1/22		
CHECKED:			SCALE:		
APPROVED:			DRAWING NO.		
			C-2		



RETAINING WALL SECTION
(NOT TO SCALE)

RETAINING WALL NOTES:

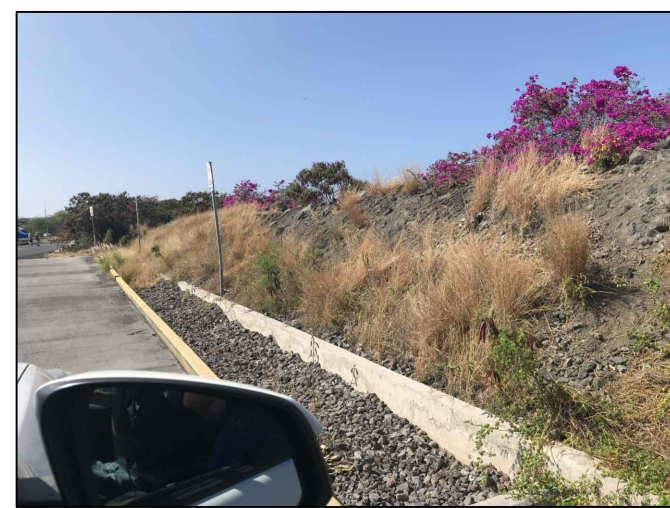
- BERM MATERIAL REMOVED FROM EXCAVATED AREA BEHIND RETAINING WALL SHALL BE REMOVED FROM THE SITE AND DISPOSED AT AN APPROPRIATE DISPOSAL SITE.
- RETAINING WALL SHALL BE KEYSTONE COMPAC III TRIPLANE UNIT WITH 8" BLOCKS AND 4" WALL CAP OR APPROVED EQUAL. CMU RETAINING WALLS ARE NOT PERMITTED.
- FOLLOW RETAINING WALL MANUFACTURER'S RECOMMENDATIONS FOR INSTALLATION AND WALL CONNECTIONS.
- GEOTEXTILE FABRIC SHALL BE MIRAFI 140N OR APPROVED EQUAL.
- BACKFILL BEHIND RETAINING WALL SHALL BE PLACED AND COMPACTED IN MIN. 8" LIFTS.



TRENCH DRAIN BAFFLE CORING & GRATING DETAIL
(NOT TO SCALE)

TRENCH DRAIN BAFFLE CORING & GRATING NOTES:

- COMPOSITE GRATING SHALL BE FIBERGRATE MICROMESH, 1.5" DEEP x 4'-0" WIDE, OR APPROVED EQUAL.
- COMPOSITE GRATING SUPPORT BRACKETS SHALL BE FIBERGRATE DYNAFORM EQUAL LEG ANGLE BRACKETS, 3" x 1/4", OR APPROVED EQUAL.
- COMPOSITE GRATING AND ANGLE BRACKETS SHALL BE CUT TO FIT SUCH THAT THERE ARE NO GAPS GREATER THAN 1/2" BETWEEN GRATING AND TRENCH DRAIN WALLS.
- CONTRACTOR SHALL FOLLOW GRATING MANUFACTURER'S RECOMMENDATIONS FOR INSTALLATION OF GRATING AND ANGLE BRACKETS, INCLUDING INSTALLATION OF ALL NECESSARY HARDWARE, CLIPS, ETC. FOR ATTACHING GRATING TO ANGLE BRACKETS.
- ANGLE BRACKETS AND GRATING SHALL BE INSTALLED SUCH THAT THE MAXIMUM DEFLECTION OF GRATING AT THE MIDPOINT DOES NOT EXCEED 1/4".



PHOTOS
(NO SCALE)

REVISION NO.	SYM.	DESCRIPTION	SHT./OF	DATE	APPROVED
HONOKOHAU SBH BOAT WASH DOWN DRAINAGE IMPROVEMENTS					
DETAILS & PHOTOS					
DESIGNED:			SUBMITTED:		
DRAWN:			DATE: 9/1/22		
CHECKED:			SCALE:		
APPROVED:			DRAWING NO.		
			C-3		